

RTS-0-10V

0-10V Dimming Load Shedding Controls

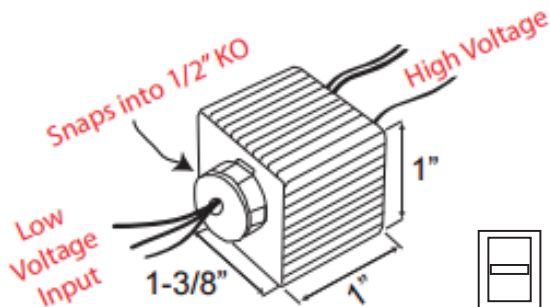
Project:

Model No.:

Comments:



MOUNTING



0-10V Dimmer
Compatible



LED COMPATIBLE



UL924 LISTED



WARRANTY

APPLICATION

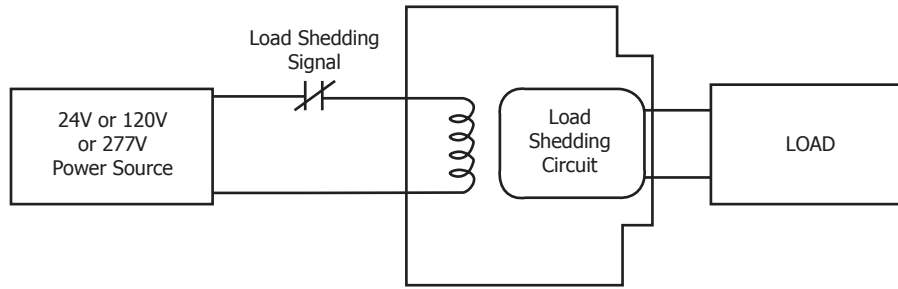
- Load Shedding (Demand Response)**
Normal Operation (Demand response contact closed): Load is controlled by dimmer
Load Shedding Operation (Demand response contact open): Load is dimmed at preset level
 Connect Gray only for 75% brightness. Connect Blue & Gray for 50% brightness.
- Load Shedding (Emergency Lighting)**
Normal Operation: Load is controlled by dimmer
Emergency Operation: Load is dimmed at preset level (50% or 75%)
 Connect Gray only for 75% brightness. Connect Blue & Gray for 50% brightness

FEATURES

The RTS series of unique load shedding controls automatically reduce energy consumption of connected lighting loads by 25-50% (RTS-0-10V) during peak hours or other specified conditions. A patent pending feature dims lighting to deliver energy savings when they are required most.

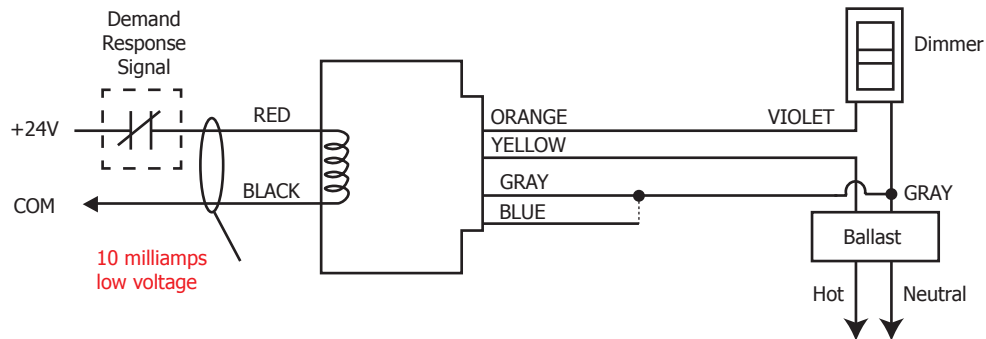
- Demand Response:** RTS can accept demand response signals and automatically disconnect any light fixture, or dim 0-10V light fixtures by 25 or 50%.
- Plug Load/Receptacle Control:** RTS can connect to low voltage occupancy sensors to automatically switch receptacles on/off based on occupancy.
- Emergency Lighting:** RTS can detect the loss of utility power and dim 0-10V light fixtures connected to an emergency inverter system by 25-50%.

SINGLE LINE DRAWING

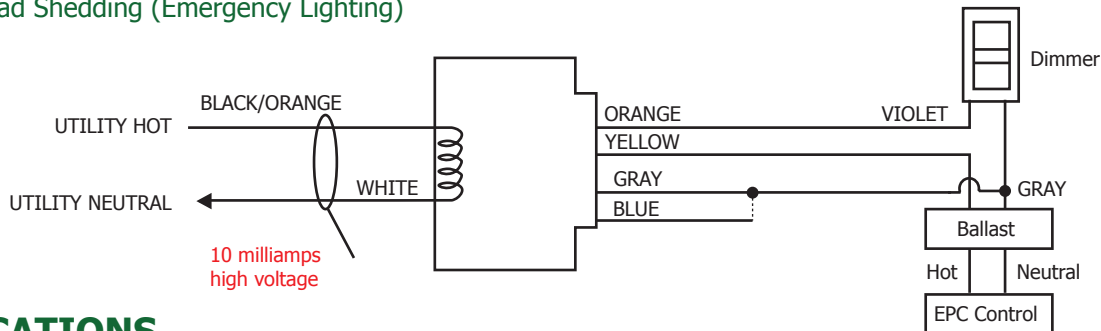


WIRING DIAGRAM

Wiring #1: Load Shedding (Demand Response)



Wiring #2: Load Shedding (Emergency Lighting)



SPECIFICATIONS

ELECTRICAL	MODEL NO.	RTS-0-10V
	SENSING INPUT	120V / 277V
	LOAD RATING	120V - 277V (20A)
	BALLAST LOAD RATING	20A (120-277V)
	INCANDESCENT LOAD	1800W (120V) / 1500W (277V)
	WARRANTY	5 Year Replacement Warranty

MECHANICAL	MOUNTING	Snaps into 1/2" Knockout (K.O.)
	RATING	UL94V-0 + UL2043 Plenum Rating
	SHIPPING WEIGHT / COLOR	8 oz. / White
	TEMPERATURE	32°F - 140°F (0°C - 60°C)
	FLUSH MOUNTED SIZE	4-3/4" x 2-3/4" x 1/4"
	BODY SIZE	1-3/8" x 1" x 1"

ORDERING INFORMATION

RTS-0-10V

ADDITIONAL RESOURCES

- Installation Sheet
- FAQ Sheet
- Alternative Wiring Sheet
- Terms & Conditions/Warranty Information