

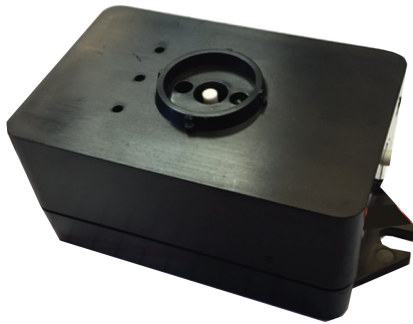
## RRU-X-UM

Shunt Relay for 0-10V and Line Voltage Applications (DPDT)

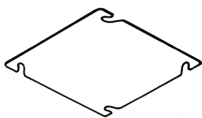
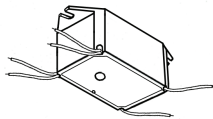
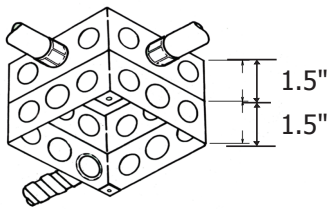
Project:

Model No.:

Comments:



### MOUNTING



LED COMPATIBLE



WARRANTY

### APPLICATION

LVS is proud to announce its latest addition to the popular RRU Shunt Line. The RRU-X-UM includes two Form C (N/O+N/C) relays and is UL924 Listed for emergency lighting control applications.

The RRU-X-UM can simultaneously bypass both a line voltage switch and a 0-10V dimming signal, ensuring that an emergency fixture illuminates at full brightness during a utility power interruption.

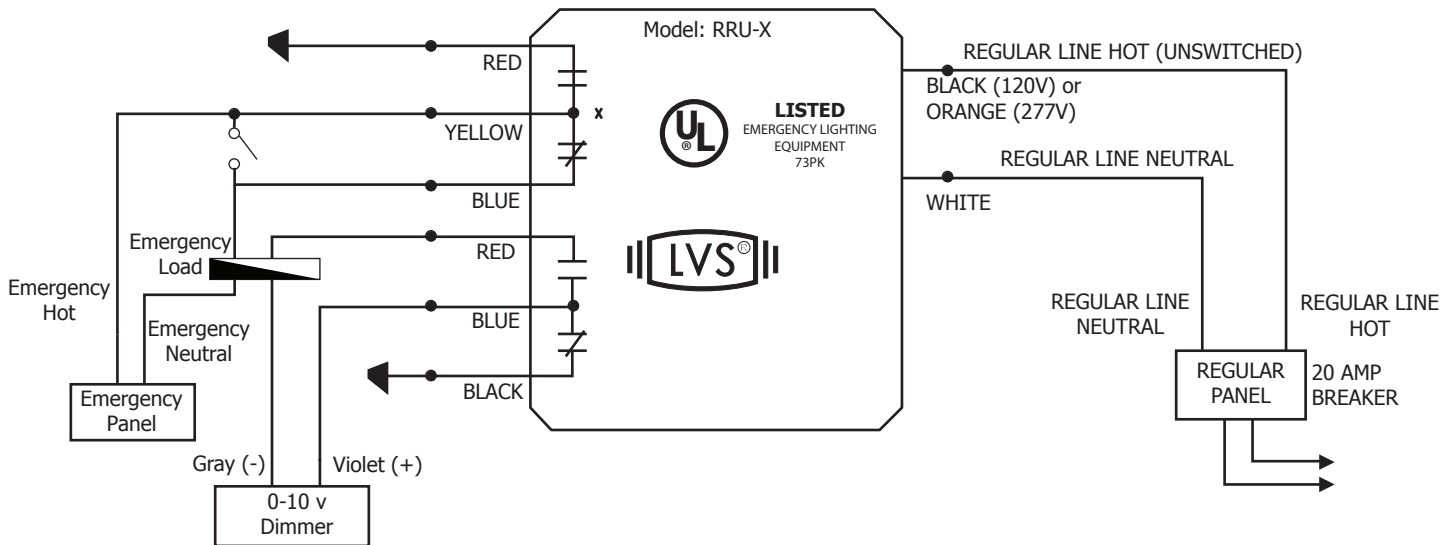
Its small size makes it ideal for fixture, panel, or junction box mounting in wireless or other modern lighting control systems. An integral test switch and LED allow for quick testing and verification of proper function.

### FEATURES

The powerful RRU-X-UM includes:

- 20A Rated N/O & N/C  
Used for bypassing line voltage switching, occupancy sensors or dimmers. Also used as dry contact to signal relay panels or BMS systems or utility power interruption
- 1A Rated N/O+N/C contact  
Used for bypassing low voltage dimming or switching signals from room controllers or dimmers
- Integral test switch and green utility power indicator
- 1/2" KO collar enables access to test switch/LED
- Mounting feet and adhesive backing allow fast and easy installation in fixture, junction box, or panels
- UL924 Listed

## WIRING DIAGRAM



## SPECIFICATIONS

<b>ELECTRICAL</b>	MODEL NO.	RRU-X-UM
	SENSING INPUT	120V / 277V
	LOAD RATING	120V - 277V (20A)
	BALLAST LOAD RATING	20A (120-277V) (Contact #1)
	INCANDESCENT LOAD	1800W (120V) / 1500W (277V)
	WARRANTY	5 Year Replacement Warranty
	LOAD	Contact #1 20A (120-277V) Contact #2 1A (30V DC)

<b>MECHANICAL</b>	MOUNTING	4-11/16" Junction Box w/ blank cover
	RATING	UL94V-0A
	SHIPPING WEIGHT / COLOR	8 oz. / Black
	TEMPERATURE	32°F - 140°F (0°C - 60°C)
	SIZE W/ MOUNTING EARS	3-3/4" x 1-3/4" x 1-1/2"

## ORDERING INFORMATION

RRU-X-UM

## ADDITIONAL RESOURCES

- Installation Sheet
- FAQ Sheet
- Alternative Wiring Sheet
- Terms & Conditions/Warranty Information