

## EPC-PM

### 20A Emergency Power Control (Plenum Mount)

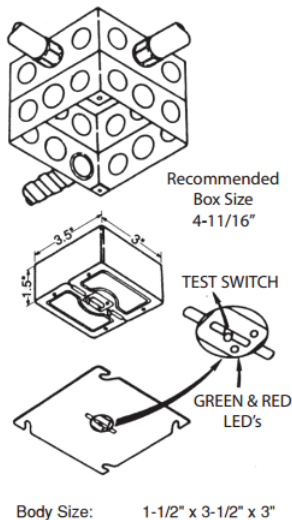
Project:

Model No.:

Comments:



## MOUNTING



## APPLICATION

In the past, emergency lights were kept on 24 hours a day to meet life safety codes. Now, you can use a UL 924 listed **Emergency Power Control, Model EPC-PM**, to convert regular light fixtures into approved emergency lights. The **EPC-PM** saves energy and money while ensuring compliance with both life safety and energy codes.

During normal operation, the same room switch, occupancy sensor, relay panel, or lighting control switches regular and emergency fixtures on and off simultaneously.

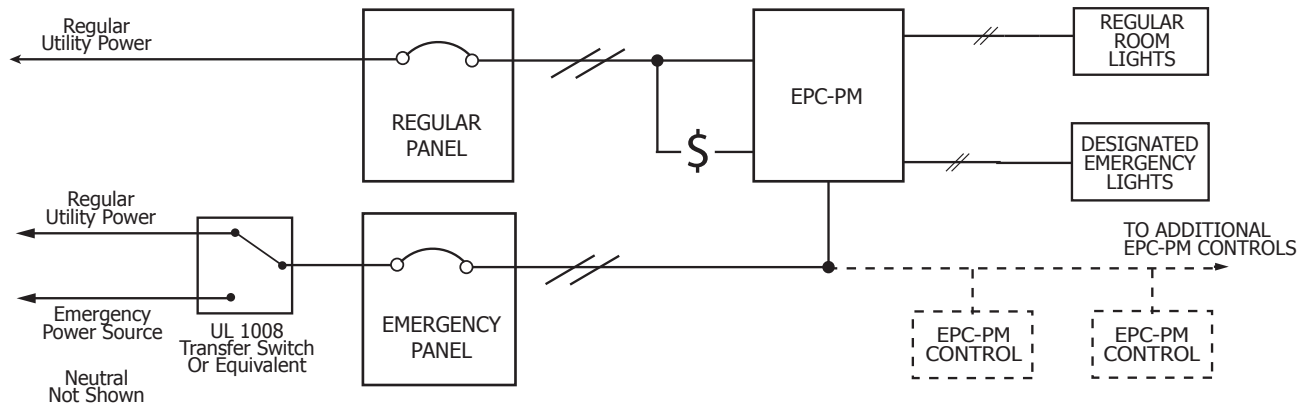
During a utility power interruption, the **EPC-PM** automatically bypasses the regular lighting controls, turning the emergency lights ON, regardless of switch position.

The **EPC-PM** is ceiling mounted in a junction box with a blank cover and is usually located in the area where the emergency fixtures are installed or in the electrical equipment room.

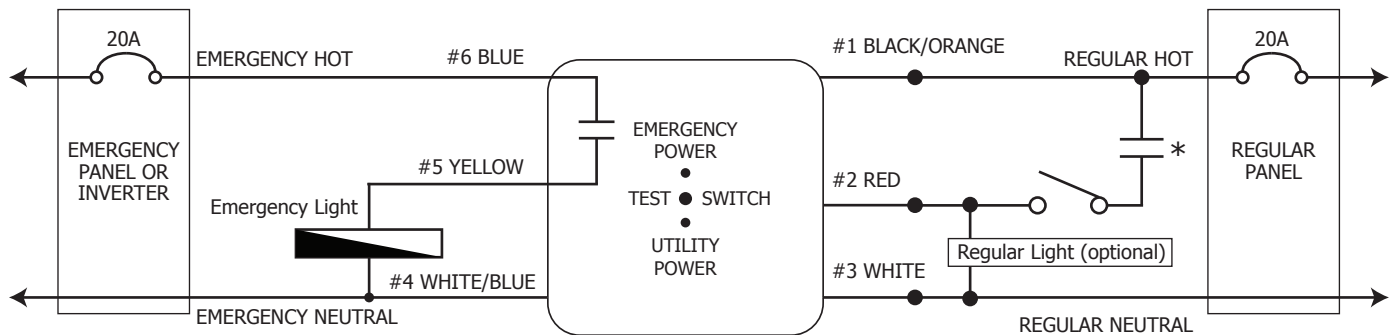
## FEATURES

- Utility & Emergency Power Indicator LED's
- Unique enclosure mounts entirely in junction box for plenum rated applications which require no exposed plastic, or air tight boxes.
- Box mount with 1/2" KO mounting allows easy access to manual test switch and LED's.

## SINGLE LINE DRAWING



## WIRING DIAGRAM



Note: Emergency Light is also called N/E Light or Normal/Emergency Light by many specifiers

\* Relay Panel, Power Pack, Sensor, or other (optional)

Note: Model EPC-PM uses a N/O relay contact for higher inrush current tolerance. However, the relay closes during emergency operation to ensure emergency light is energized regardless of switch position.

## SPECIFICATIONS

ELECTRICAL	MODEL NO.	EPC-PM	MECHANICAL	MOUNTING	4-11/16" Junction Box w/ extension & blank cover
	SENSING INPUT	120V / 277V		RATING	UL94-5VA + UL2043 Plenum Rating
	LOAD RATING	120V - 277V (20A)		SHIPPING WEIGHT/ COLOR	8 oz. / Black and Silver
	BALLAST LOAD RATING	20A (120-277V)		TEMPERATURE	32°F - 140°F (0°C - 60°C)
	INCANDESCENT LOAD	1800W (120V) / 1500W (277V)		FLUSH MOUNTED SIZE	1-1/2" x 3-1/2" x 3"
	WARRANTY	5 Year Replacement Warranty		BODY SIZE	1-1/2" x 3-1/2" x 3"

## ORDERING INFORMATION

### EPC-PM

- Note: Flush, fixture, and dimming models available, see EPC-1, EPC-A-1, and EPC-1-D

## ADDITIONAL RESOURCES

- Installation Sheet
- FAQ Sheet
- Alternative Wiring Sheet
- Terms & Conditions/Warranty Information