

Project:	
Type:	
Catalog #:	

STANDARD



The ultra-thin, edge-lit LED panel (LEDPNL) series is designed to deliver general ambient lighting in a variety of indoor settings, including schools, offices, hospitals and stores, and is the perfect choice for both new construction and retrofits. This high-efficacy luminaire provides long-life and uniform illumination, as well as standard 0-10 vdc dimming capability.

FEATURES

- Available in 3000k (warm white), 3500k (warm/neutral white) 4000k (neutral white) & 5000k (cool white) color temperatures.*
- Long-life LEDs provide 63,000 hours of operation with at least 70% of initial lumen output (L₇₀).**
- LEDPNL2x4-50W Provides 4,652 luminaire lumens (99 lumens per watt, LPW) at 3000k, 3500k & 4000k, and 5,062 luminaire lumens (108 LPW) at 5000k.*
- LEDPNL2x4-70W provides 6,567 luminaire lumens (97 LPW) at 3000k, 6,645 luminaire lumens (98 LPW) at 3500k & 4000k, and 7,325 luminaire lumens (108 LPW) at 5000k.*
- Uniform illumination with no visible LED pixilation.
- Universal 120-277 AC voltage (50-60Hz) is standard.
- 0-10vdc dimming capability is standard.
- Power factor > 0.90.
- Total harmonic distortion < 20%.
- Color rendering index > 80.
- Aluminum housing.
- Acrylic lens with light guide panels for optimal light distribution and efficiency.
- Easy installation in new construction or retrofit.
- Standard earthquake clips provide secure installation in grid ceilings.
- Standard mounting options include recessed mounting in grid ceilings, or suspended mounting using attached hanging brackets. For mounting in plaster or other hard ceiling, see Mounting Kits.

* Contact factory for other color temperatures and lumen packages.
** L₇₀ hours are IES TM-21-11 calculated hours.



WARRANTY & LISTINGS

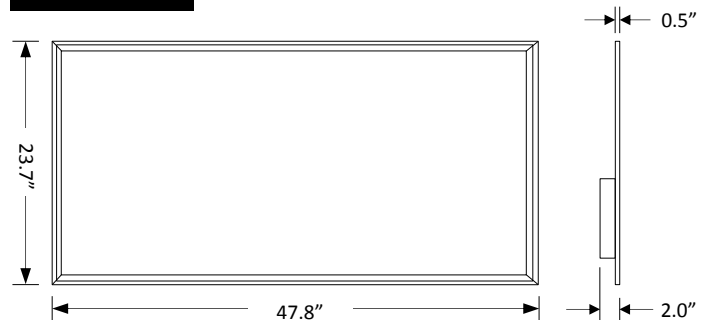
- ETL listed to applicable U.L. standards for damp locations and insulated ceilings (IC-rated). Suitable for ambient temperatures from -25°C to 45°C (-13°F to 113°F).
- DLC standard approved.
- Complies with RoHS (Restriction on Hazardous Substances) requirements.
- Complies with FCC Part 15.
- 5-year warranty of all electronics and housing.

MOUNTING KITS

 See below for details

- Optional surface & flange mounting kits provide for installation on plaster or other hard ceilings.
- Optional cable mounting kits provide additional security, as well as suspended mounting.

DIMENSIONS



Weight: 15.5 lbs.

ORDERING INFORMATION

Example: LEDPNL24-50W-3K-SMK24 + LEDPNL-EMBRKT

Model	Luminaire Watts	Luminaire Lumens	Lumens/Watt	Color Temperature	Options (See below for details)
LEDPNL2X4-50W	50 = 47W	4,652	99	3K = 3000k	SMK24 = Surface Mounting Kit (2x4) FLANGEKIT24-ET = Flange Mounting Kit (2x4) LEDPNL-CMK = Cable Mounting Kit, Quantity 6, 1 meter long, 1/16" diameter, with spring clips & adjustable, locking ceiling attachment LEDPNL-EMBRKT = Bracket for emergency battery backup unit
		4,652	99	35k= 3500k	
		4,652	99	4K = 4000k	
		5,062	108	5K = 5000k	
LEDPNL2X4-70W	70 = 68W	6,567	97	3K = 3000k	
		6,645	98	35k= 3500k	
		6,645	98	4K = 4000k	
		7,325	108	5K = 5000k	

ELECTRICAL DATA

Model	Color Temperature	CRI ¹	Luminaire Lumens	Luminaire Watts	Lumens Per Watt	Input Voltage ²	Input Current (A)			Power Factor	THD ³	L ₇₀ Hours ⁴
							120V	240V	277V			
LEDPNL2X4-50W-3K	3000k	> 80	4,652	47	99	120-277	0.39	0.20	0.17	> 90%	< 20%	63,000
LEDPNL2X4-50W-35K	3500k	> 80	4,652	47	99	120-277	0.39	0.20	0.17	> 90%	< 20%	63,000
LEDPNL2X4-50W-4K	4000k	> 80	4,652	47	99	120-277	0.39	0.20	0.17	> 90%	< 20%	63,000
LEDPNL2X4-50W-5K	5000k	> 80	5,062	47	108	120-277	0.39	0.20	0.17	> 90%	< 20%	63,000
LEDPNL2X4-70W-3K	3000k	> 80	6,567	68	97	120-277	0.57	0.28	0.25	> 90%	< 20%	63,000
LEDPNL2X4-70W-35K	3500k	> 80	6,645	68	98	120-277	0.57	0.28	0.25	> 90%	< 20%	63,000
LEDPNL2X4-70W-4K	4000k	> 80	6,645	68	98	120-277	0.57	0.28	0.25	> 90%	< 20%	63,000
LEDPNL2X4-70W-5K	5000k	> 80	7,325	68	108	120-277	0.57	0.28	0.25	> 90%	< 20%	63,000

¹ Color rendering index.

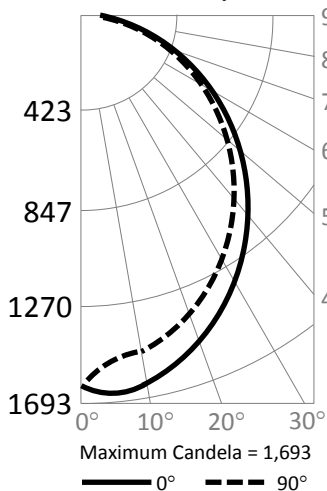
² All 50-60Hz.

³ Total harmonic distortion.

⁴ L₇₀ refers to the number of hours at which lumen output declines to 70% of the initial level. L₇₀ hours are IES TM-21-11 calculated hours.

PHOTOMETRIC DATA

PNL2X4-50W-4K (4,652 Lumens)



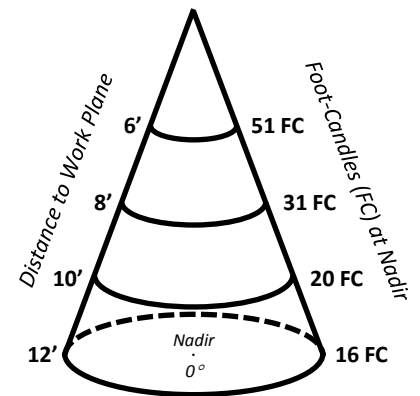
Candlepower Summary

	0°	90°
0°	1,621	1,621
10°	1,633	1,489
20°	1,516	1,389
30°	1,341	1,239
40°	1,127	1,042
50°	879	815
60°	612	570
70°	340	305
80°	98	76
90°	0	0

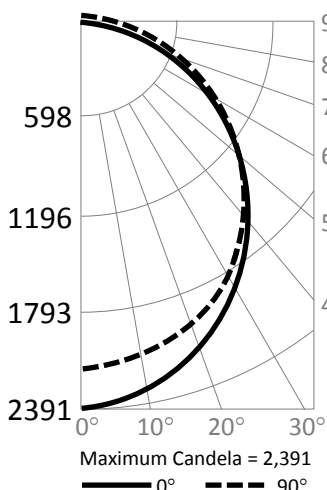
Zonal Lumen Summary

Zone	Lumens	% Fixture
0° - 10°	39	0.8%
0° - 20°	346	7.4%
0° - 30°	918	19.7%
0° - 40°	1,677	36.0%
0° - 50°	2,517	54.1%
0° - 60°	3,327	71.5%
0° - 70°	3,999	86.0%
0° - 80°	4,451	95.7%
0° - 90°	4,652	100.0%
90° - 180°	0	0.0%
0° - 180°	4,652	100.0%

Cone of Light



PNL2X4-70W-4K (6,645 Lumens)



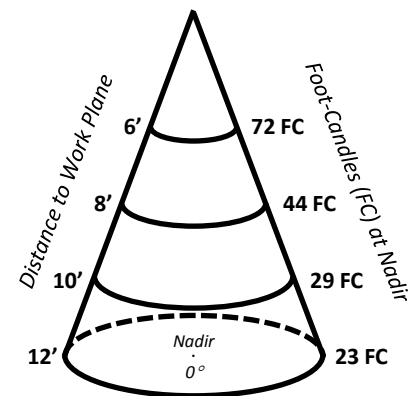
Candlepower Summary

	0°	90°
0°	2,384	2,180
10°	2,304	2,140
20°	2,138	2,019
30°	1,891	1,824
40°	1,585	1,561
50°	1,227	1,229
60°	843	869
70°	447	482
80°	107	138
90°	0	0

Zonal Lumen Summary

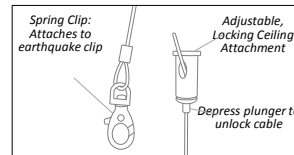
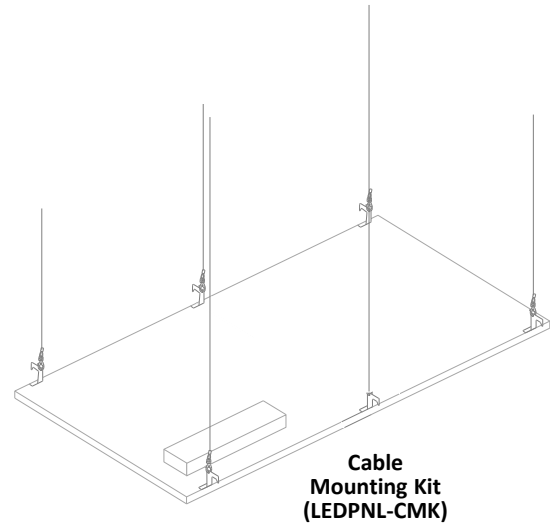
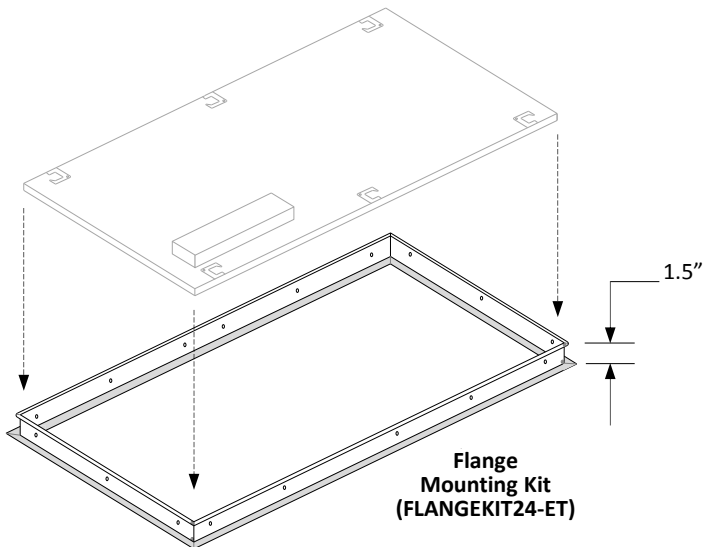
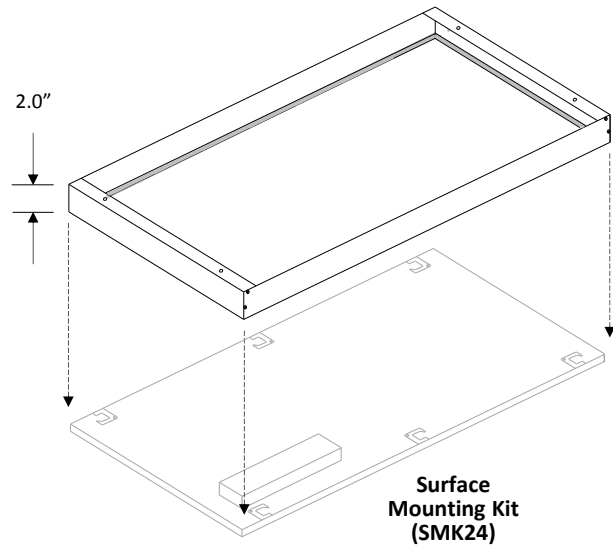
Zone	Lumens	% Fixture
0° - 10°	56	0.8%
0° - 20°	491	7.4%
0° - 30°	1,305	19.6%
0° - 40°	2,388	35.9%
0° - 50°	3,593	54.1%
0° - 60°	4,754	71.5%
0° - 70°	5,718	86.1%
0° - 80°	6,362	95.7%
0° - 90°	6,645	100.0%
90° - 180°	0	0.0%
0° - 180°	6,645	100.0%

Cone of Light



OPTIONS

- Optional surface mounting kits (SMK24) mounts below the ceiling.
- Optional flange mounting kits provide for recessed installation on plaster or other hard ceilings. Attach Flange Mount Kit (FLANGEKIT24-ET) to ceiling joists or other stationary structures, and the panel is mounted flush to the ceiling.
- Optional cable mounting kits provide additional security, as well as suspended mounting. Attach one end of the Cable Mount Kit (LEDPNL-CMK) to luminaire earthquake clips using spring clips, and attach the other end to stationary structures using the adjustable, locking ceiling attachment (see picture below right).
- Optional bracket for emergency battery backup unit (LEDPNL-EMBRKT) provides structural support to prevent panels from bending the battery backups are installed.



- Cable Mount Kit:
- Spring Clip
 - Adjustable, locking ceiling attachment

