

Project:	
Type:	
Catalog #:	



STANDARD



The LEDFHB320 is a full-body, premium-performance LED high bay luminaire. It is designed to illuminate a wide variety of settings, including commercial, industrial & retail settings such as warehouses, manufacturing plants, sporting venues and big-box retailers. With a painted, steel housing, the LEDFHB320 provides high levels of durability and performance. High-efficacy, long-life LEDs provide both energy and maintenance cost savings compared to traditional, HID high bays.

FEATURES

- Available in 4000k (neutral white) and 5000k (cool white) color temperatures.*
- Long-life LEDs provide 122,000 hours of operation with at least 70% of initial lumen output (L_{70}).**
- Delivers 44,298 lumens (138 lumens per watt, LPW) at 4000k, and 44,940 lumens (140 LPW) at 5000k.*
- Universal 120-277 AC voltage (50-60Hz) is standard.
- Step-down transformers are required for 347-480V applications. Use optional transformer cover box for enclosed wire connections (see page two for details).
- 0-10vdc dimming drivers are standard.
- Power factor > 0.90.
- Total harmonic distortion < 20%.
- Color rendering index > 80.
- Painted steel housing.
- Easy installation in new construction or retrofit.
- Chain-mount kits (includes v-hooks and $\frac{1}{8}$ " thick, 1-meter long chain) are standard.
- Options include lenses (clear & diffused), wire-guard kits surface-mounting kits, pendant-mounting kits, and cable-mounting kits.

* Contact factory for other color temperatures and lumen packages.

** L_{70} hours are IES TM-21-11 calculated hours.

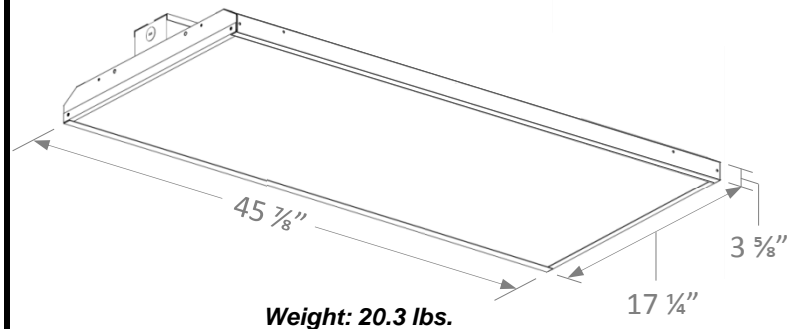
WARRANTY & LISTINGS

- cULus listed for damp locations in ambient temperatures from -20°C to 50°C (-4°F to 122°F).
- DLC premium approved.
- Complies with RoHS (Restriction on Hazardous Substances) requirements
- Complies with FCC Part 15, class A.
- Complies with IEEE C.62.41-1991, input transient protection (2.5kV).
- 5-year warranty of all electronics and housing.

MOUNTING OPTIONS

- Chain mounting with V-hooks is standard.
- Optional surface mounting kit provides attachment to flat ceilings.
- Optional pendant mounting kit provides pendant attachment to $\frac{1}{2}$ " rigid conduit.
- Optional cable mounting kits provide suspension at two lengths (i.e., 3 & 5 meters).

DIMENSIONS



ORDERING INFORMATION

Example: LEDFHB320-4K-MVDIM + LEDFHB265/275/320-CRLENS + LEDFHB265/275/320-WG + LEDFHB-SMK6
(320 watt high bay, 4000k, 0-10vdc dimming, + clear lens + wire guard + surface-mount kit)

Model	Luminaire Watts	Luminaire Lumens	Lumens Per Watt	Color Temperature	Options (Order Separately)
LEDFHB320-4K-MVDIM	321	44,298	138	4K = 4000k	LEDFHB265/275/320-CRLENS = Clear lens
LEDFHB320-5K-MVDIM	321	44,940	140	5K = 5000k	LEDFHB265/275/320-DIFLENS = Diffuse lens
					LEDFHB265/275/320-WG = Wire-guard kit
					LEDFHB-SMK6 = Surface-mount kit, 6 LED modules
					LEDFHB-PMK = Pendant-mount kit
					LEDFHB-CMK3 = Cable-mounting kit, 3 meters
					LEDFHB-CMK5 = Cable-mounting kit, 5 meters
					KTAT-375-480-277/A = 347/480V to 277V transformer, 375W
					BLPSDTX-COVER = Transformer cover box

ELECTRICAL DATA

Model	Color Temp.	CRI ¹	Luminaire Lumens	Luminaire Watts	Lumens/Watt	Input Voltage ²	Input Current (A)			Power Factor	THD ³	L ₇₀ Hours ⁴
							120V	240V	277V			
LEDFHB320-4K-MVDIM	4000k	>80	44,298	321	138	120-277	2.68	1.34	1.16	>90%	<20%	122,000
LEDFHB320-5K-MVDIM	5000k	>80	44,940	321	140	120-277	2.68	1.34	1.16	>90%	<20%	122,000

¹ Color rendering index.

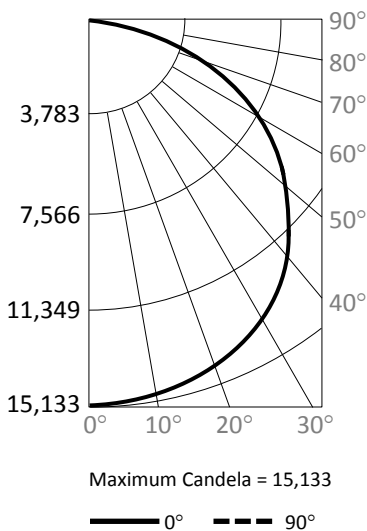
² All 50-60Hz.

³ Total harmonic distortion.

⁴ L₇₀ refers to the number of hours at which lumen output declines to 70% of the initial level. L₇₀ hours are IES TM-21-11 calculated hours.

PHOTOMETRIC DATA

LEDFHB320-5K-MVDIM (44,940 Lumens)



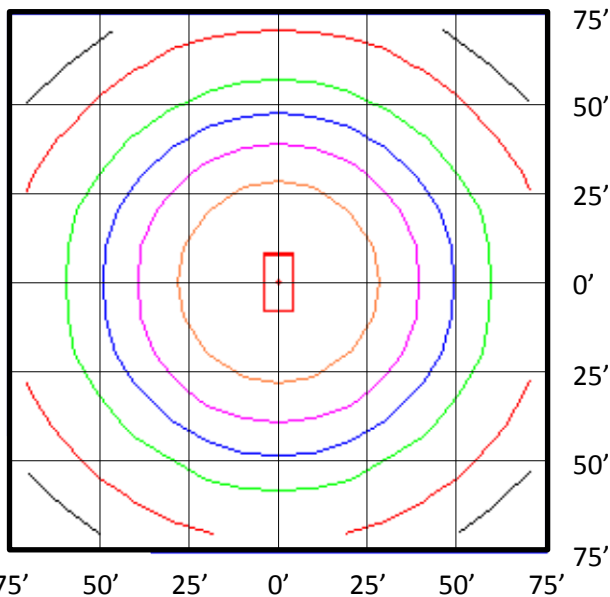
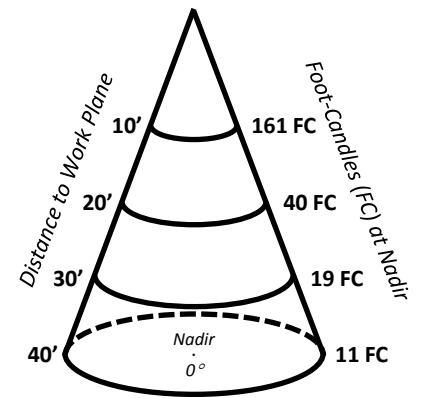
Candlepower Summary

	0°	90°
0°	15,133	15,133
10°	15,006	14,900
20°	14,465	14,300
30°	13,451	13,269
40°	11,946	11,710
50°	9,897	9,688
60°	6,844	7,154
70°	3,873	4,368
80°	985	1,587
90°	26	32

Zonal Lumen Summary

Zone	Lumens	% Fixture
0° - 10°	1,456	3.2%
0° - 20°	5,662	12.6%
0° - 30°	12,144	27.0%
0° - 40°	20,150	44.8%
0° - 50°	28,619	63.7%
0° - 60°	36,527	80.7%
0° - 70°	41,793	93.0%
0° - 80°	44,484	99.0%
0° - 90°	44,862	99.8%
90° - 180°	78	0.2%
0° - 180°	44,940	100.0%

Cone of Light



Foot Candles



Notes:

- Isofootcandle plots depict initial footcandles at grade.
- Gridlines represent units of mounting height of 25 feet.

Transformer Cover Box:

- Attach transformer to cover box.
- Make wiring connections.
- Attach transformer cover box assembly to luminaire driver enclosure.

