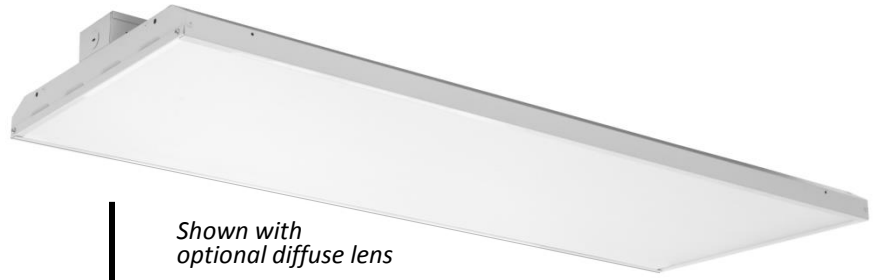


Project:	
Type:	
Catalog #:	



Shown with optional diffuse lens

STANDARD



The LEDFHB265 is a full-body, premium-performance LED high bay luminaire. It is designed to illuminate a wide variety of settings, including commercial, industrial & retail settings such as warehouses, manufacturing plants, sporting venues and big-box retailers. With a painted, steel housing, the LEDFHB265 provides high levels of durability and performance. High-efficacy, long-life LEDs provide both energy and maintenance cost savings compared to traditional, HID high bays.

FEATURES

- Available in 4000k (neutral white) and 5000k (cool white) color temperatures.*
- Long-life LEDs provide 122,000 hours of operation with at least 70% of initial lumen output (L_{70}).**
- Delivers 36,570 lumens (138 lumens per watt, LPW) at 4000k, and 37,100 lumens (140 LPW) at 5000k.*
- Universal 120-277 AC voltage (50-60Hz) is standard.
- Step-down transformers are required for 347-480V applications. Use optional transformer cover box for enclosed wire connections (see page two for details).
- 0-10vdc dimming drivers are standard.
- Power factor > 0.90.
- Total harmonic distortion < 20%.
- Color rendering index > 80.
- Painted steel housing.
- Easy installation in new construction or retrofit.
- Chain-mount kits (includes v-hooks and 1/8" thick, 1-meter long chain) are standard.
- Options include lenses (clear & diffused), wire-guard kits surface-mounting kits, pendant-mounting kits, and cable-mounting kits.

* Contact factory for other color temperatures and lumen packages.

** L_{70} hours are IES TM-21-11 calculated hours.

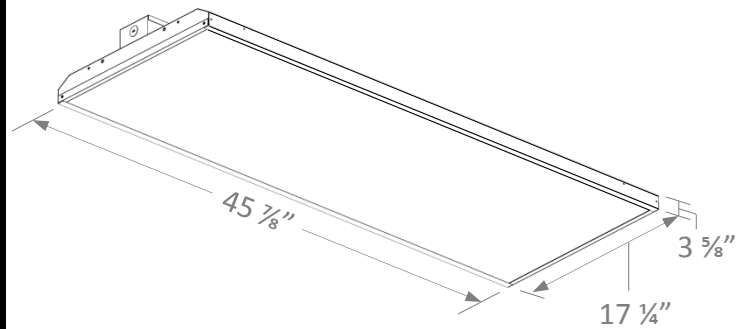
WARRANTY & LISTINGS

- cULus listed for damp locations in ambient temperatures from -20°C to 50°C (-4°F to 122°F).
- DLC premium approved.
- Complies with RoHS (Restriction on Hazardous Substances) requirements
- Complies with FCC Part 15, class A.
- Complies with IEEE C.62.41-1991, input transient protection (2.5kV).
- 5-year warranty of all electronics and housing.

MOUNTING OPTIONS

- Chain mounting with V-hooks is standard.
- Optional surface mounting kit provides attachment to flat ceilings.
- Optional pendant mounting kit provides pendant attachment to 1/2" rigid conduit.
- Optional cable mounting kits provide suspension at two lengths (i.e., 3 & 5 meters).

DIMENSIONS



Weight: 20.3 lbs.

ORDERING INFORMATION

Example: LEDFHB265-4K-MVDIM + LEDFHB265/275/320-CRLENS + LEDFHB265/275/320-WG + LEDFHB-SMK6
(265 watt high bay, 4000k, 0-10vdc dimming, + clear lens + wire guard + surface-mount kit)

Model	Luminaire Watts	Luminaire Lumens	Lumens Per Watt	Color Temperature	Options (Order Separately)
LEDFHB265-4K-MVDIM	265	36,570	138	4K = 4000k	LEDFHB265/275/320-CRLENS = Clear lens
LEDFHB265-5K-MVDIM	265	37,100	140	5K = 5000k	LEDFHB265/275/320-DIFLENS = Diffuse lens
					LEDFHB265/275/320-WG = Wire-guard kit
					LEDFHB-SMK6 = Surface-mount kit, 6 LED modules
					LEDFHB-PMK = Pendant-mount kit
					LEDFHB-CMK3 = Cable-mounting kit, 3 meters
					LEDFHB-CMK5 = Cable-mounting kit, 5 meters
					KTAT-375-480-277/A = 347/480V to 277V transformer, 375W
					BLPSDTX-COVER = Transformer cover box

ELECTRICAL DATA

Model	Color Temp.	CRI ¹	Luminaire Lumens	Luminaire Watts	Lumens/Watt	Input Voltage ²	Input Current (A)			Power Factor	THD ³	L ₇₀ Hours ⁴
							120V	240V	277V			
LEDFHB265-4K-MVDIM	4000k	>80	36,570	265	138	120-277	2.21	1.10	0.96	>90%	<20%	122,000
LEDFHB265-5K-MVDIM	5000k	>80	37,100	265	140	120-277	2.21	1.10	0.96	>90%	<20%	122,000

¹ Color rendering index.

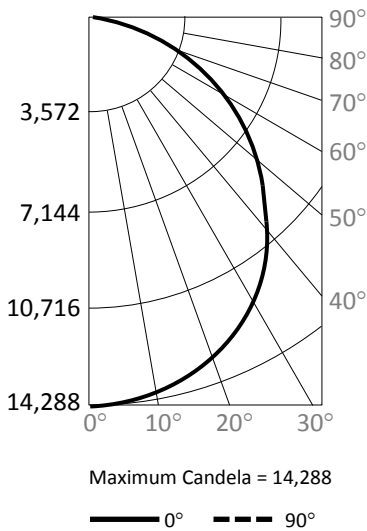
² All 50-60Hz.

³ Total harmonic distortion.

⁴ L₇₀ refers to the number of hours at which lumen output declines to 70% of the initial level. L₇₀ hours are IES TM-21-11 calculated hours.

PHOTOMETRIC DATA

LEDFHB265-5K-MVDIM (37,100 Lumens)



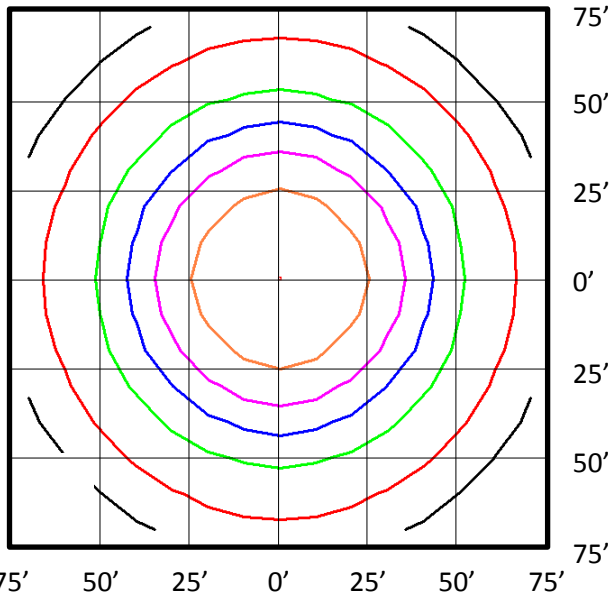
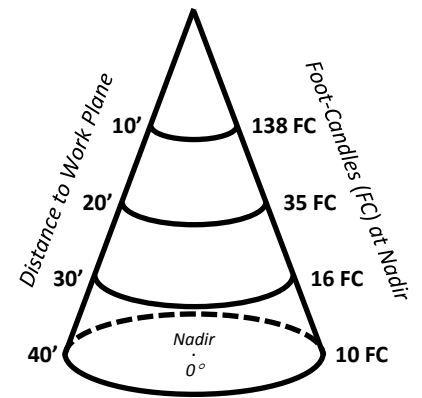
Candlepower Summary

	0°	90°
0°	14,288	14,288
10°	14,004	14,059
20°	13,273	13,258
30°	11,935	11,842
40°	10,084	9,880
50°	7,819	7,499
60°	5,403	5,058
70°	3,102	2,862
80°	1,134	1,047
90°	0	0

Zonal Lumen Summary

Zone	Lumens	% Fixture
0° - 10°	1,352	3.6%
0° - 20°	5,220	14.1%
0° - 30°	11,042	29.8%
0° - 40°	17,918	48.3%
0° - 50°	24,743	66.7%
0° - 60°	30,494	82.2%
0° - 70°	34,518	93.0%
0° - 80°	36,606	98.7%
0° - 90°	37,100	100.0%
90° - 180°	0	0.0%
0° - 180°	37,100	100.0%

Cone of Light



Notes:

- Isofootcandle plots depict initial footcandles at grade.
- Gridlines represent units of mounting height of 25 feet.

Transformer Cover Box:

- Attach transformer to cover box.
- Make wiring connections.
- Attach transformer cover box assembly to luminaire driver enclosure.

