

# BRK- LED 6" ARCHITECTURAL TRIM

<b>Project:</b>	
<b>Type:</b>	
<b>Catalog #:</b>	

## STANDARD



ETL CLASSIFIED



Intertek  
(RETROFIT)

Intertek  
(NEW CONSTRUCTION)

## APPLICATIONS

6" architectural Recessed downlight retrofit solution with integrated LED power supply and thermal management system combined in a single compact unit designed to fit most standard 6" recessed cans. Also works in new construction applications.

## ILLUMINATION

- Long life LEDs with up to 50,000 hours at 70% lumen maintenance.
- Choice of, 3500K (±245), 5000K (±283) color temperature with 80 CRI.
- Produces 1500 lumens output from luminaire.
- Uses 1.18W high power, high quality LEDs.

## ELECTRICAL

- Dimmable to 0-10V dimmers.

SYLVANIA	45167
Leviton Decora	IP710-LFZ
Lutron Diva	DVSTV-WH
Cooper	DF10P-C1

- Save 75% compared to incandescent sources.
- High efficiency driver with a power factor  $\geq .90$  with input power of 120V-277V, 50-60Hz.
- Built-in LED Driver.
- Power consumption of 17watts.
- Operation temperature of -20°C- 40°C (-4°F- 104°F).

## MOUNTING

- Easy to install flex-cable into a junction box.



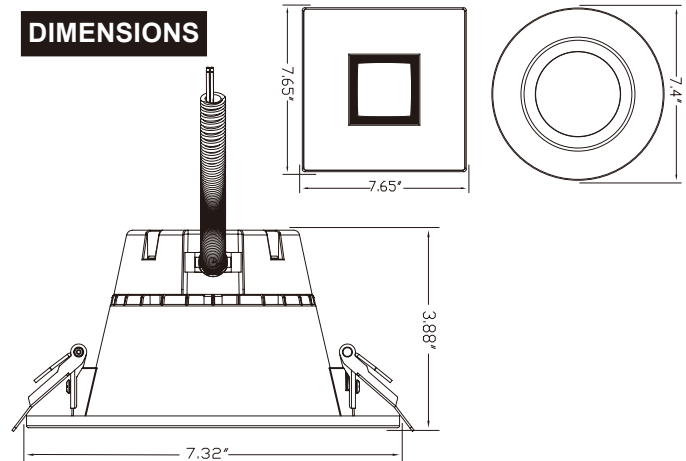
## HOUSING

- Compatible with most 6" architectural housings or frames
- Compatible with insulated, non-insulated, and air-tight ceilings.
- Durable thermoplastic and aluminum construction.
- Flexible cable.
- Optional 6" square snap-on
- Optional 6" silver and white aluminum round trim

## WARRANTY/LISTING

- Tested in accordance with IESNA LM79 & LM80.
- ETL Listed for wet location, US and Canada (new construction).
- ETL Classified for wet location, US and Canada (retrofit).
- Energy Star certified.
- Passes FCC Class A.
- Meets State of California Title 24 requirements.
- Five year warranty on all electronics and housing.

## DIMENSIONS



## ORDERING INFORMATION

MODEL	OPTIONS	KELVIN RATING		LUMENS
BRK-LED6A-BW-35K-ECO	BW White Baffle	35K	3500K	1500
BRK-LED6A-BW-5K-ECO	BW White Baffle	5K	5000K	1500
LED56-TRMPLT-ECO-SQ	Square	NA		NA
LED6A-TRMPLT-ECO-SPWHT	Silver/White	NA		NA

www.invertersystemsinc.com

329 Otter Street, Bristol, PA 19007 • Tele: (215) 788-8870 • Fax: (215) 788-8873