

Project:	
Type:	
Catalog #:	

## STANDARD



The LEDWPPCSN wall pack is an economical solution for outdoor perimeter and area lighting. With a built-in photocell, a die cast aluminum housing, and a polycarbonate lens, the LEDWPPCSN is a versatile and durable outdoor luminaire. High-efficacy, long-life LEDs provide both energy and maintenance cost savings compared to traditional, HID wall packs.

## FEATURES

- Available in 4000k (neutral white) and 5000k (cool white) color temperatures.
- Long-life LEDs provide 63,000 hours of operation with at least 70% of initial lumen output (L<sub>70</sub>).<sup>\*\*</sup>
- Provides 2,113 lumens and 108 lumens per watt (LPW) at 4000k, and 2,147 lumens and 110 LPW at 5000k.\*
- Uniform illumination with no visible LED pixilation.
- Universal 120-277 AC voltage (50-60Hz) is standard.
- Standard photocell (120-277V).
- Power factor > 0.90.
- Total harmonic distortion < 20%.
- Color rendering index > 80.
- Die cast aluminum housing with durable, dark bronze, powder coat paint.
- Polycarbonate lens is sealed and gasketed to prevent leaks.
- Easy installation in new construction or retrofit.

\* Contact factory for other color temperatures and lumen packages.

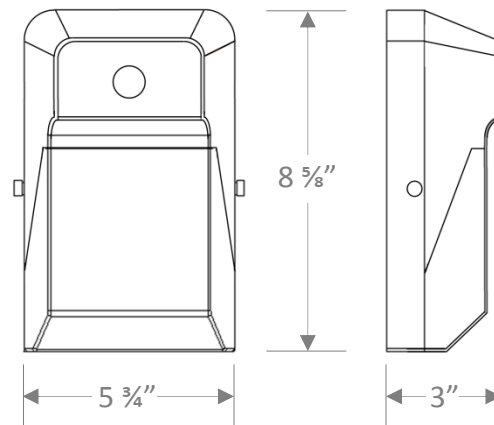
\*\* L<sub>70</sub> hours are IES TM-21-11 calculated hours.



## WARRANTY & LISTINGS

- cULus listed for wet locations in ambient temperatures from -20°C to 45°C (-4°F to 113°F).
- IP65 rated for ingress protection.
- DLC standard approved.
- Complies with FCC Part 15, class B
- Complies with RoHS (Restriction on Hazardous Substances) requirements.
- 5-year warranty on all electronics and housing.

## DIMENSIONS



Weight: 1.8 lbs.

## ORDERING INFORMATION

Model	Color Temperature	Luminaire Watts	Luminaire Lumens	Lumens Per Watt
LEDWPPCSN	4K = 4000k	20	2,113	108
	5K = 5000k	20	2,147	110

## ELECTRICAL

Model	Color Temperature	CRI <sup>1</sup>	Luminaire Lumens	Luminaire Watts	Lumens Per Watt	Input Voltage <sup>2</sup>	Input Current (A)			Power Factor	THD <sup>3</sup>	L <sub>70</sub> Hours <sup>4</sup>
							120V	240V	277V			
LEDWPPCSN-20W-4K	4000k	> 80	2,113	20	108	120-277	0.16	0.08	0.07	> 90%	<20%	63,000
LEDWPPCSN-20W-5K	5000k	> 80	2,147	20	110	120-277	0.16	0.08	0.07	> 90%	<20%	63,000

<sup>1</sup> Color rendering index.

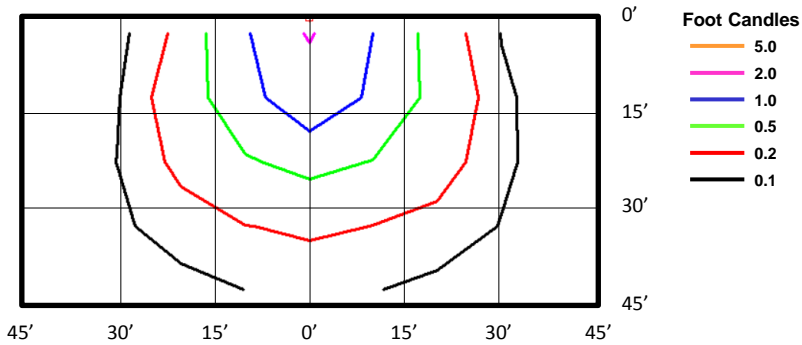
<sup>2</sup> All 50-60Hz.

<sup>3</sup> Total harmonic distortion.

<sup>4</sup> L<sub>70</sub> refers to the number of hours at which lumen output declines to 70% of the initial level. L<sub>70</sub> hours are IES TM-21-11 calculated hours.

## PHOTOMETRIC DATA

### LEDWPPCSN-4K (2,113 Lumens)



### Notes:

- Isofootcandle plots depict initial footcandles at grade.
- Gridlines represent units of mounting height of 15 feet.