

Project:	
Type:	
Catalog #:	

## STANDARD



The LEDWP60W/80W are rugged, durable LED wall packs, which are perfect for outdoor perimeter and area lighting. With die cast aluminum housings and vandal resistant, borosilicate glass lenses, the LEDWP60W/80W will stand up to many years of punishing environmental conditions. High-efficacy, long-life LEDs provide both energy and maintenance cost savings compared to traditional, HID wall packs.

## FEATURES

- Available in 4000k (neutral white) and 5000k (cool white) color temperatures.\*
- Long-life LEDs provide 59,000 hours of operation (LEDWP60W), or 57,000 hours of operation (LEDWP80W) with at least 70% of initial lumen output ( $L_{70}$ ).\*\*
- LEDWP60W models deliver 6,990 lumens and 115 lumens per watt (LPW) at 4000k, or 7,231 lumens and 119 LPW at 5000k.\*
- LEDWP80W models deliver 9,803 lumens and 126 LPW at 4000k, or 9,953 lumens and 128 LPW at 5000k.\*
- Uniform illumination with no visible LED pixilation.
- Universal 120-277 AC voltage (50-60Hz) is standard.
- Power factor > 0.90.
- Total harmonic distortion < 20%.
- Color rendering index > 70.
- Die cast aluminum housing with durable, dark bronze, powder coat paint.
- Tempered, borosilicate glass lens with seamless, silicone gasket to prevent leaks.
- Removable, threaded plugs for side attachment of 1/2" rigid electrical conduit, or for button photocells.
- Easy installation in new construction or retrofit.

\* Contact factory for other color temperatures and lumen packages.

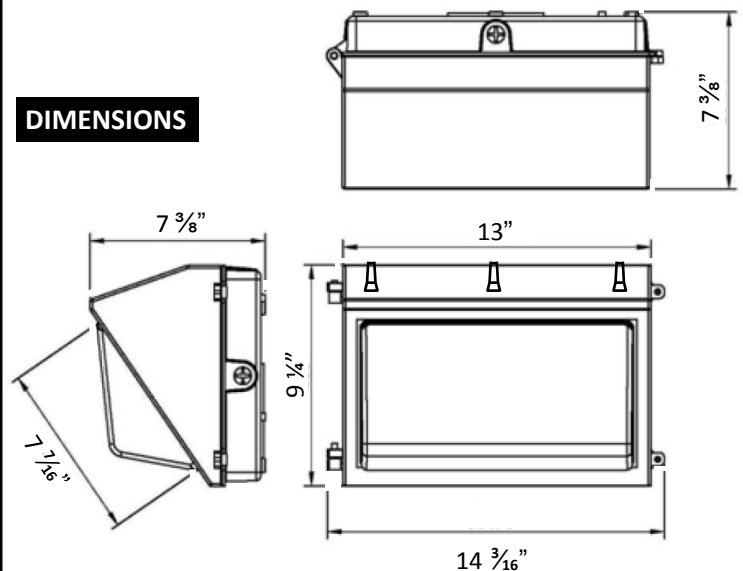
\*\*  $L_{70}$  hours are IES TM-21-11 calculated hours.



## WARRANTY & LISTINGS

- cULus listed for wet locations (-30°C to 40°C / -22°F to 104°F).
- IP65 rated.
- DLC standard approved.
- Complies with EN61000-4-5, surge immunity (2kV).
- 5-year warranty on all electronics and housing.

## DIMENSIONS



Weight: 11 lbs.

## ORDERING INFORMATION

Model	Luminaire Watts	Luminaire Lumens	Lumens Per Watt	Color Temperature
LEDWP60W-4K	61	6,990	115	4K = 4000k
LEDWP60W-5K	61	7,231	119	5K = 5000k
LEDWP80W-4K	78	9,803	126	4K = 4000k
LEDWP80W-5K	78	9,953	128	5K = 5000k

## ELECTRICAL

Model	Color Temperature	CRI <sup>1</sup>	Luminaire Lumens	Luminaire Watts	Lumens Per Watt	Input Voltage	Input Current (A)			Power Factor	THD <sup>2</sup>	L <sub>70</sub> Hours <sup>3</sup>
							120V	240V	277V			
LEDWP60W-4K	4000k	> 70	6,990	61	115	120-277 (50-60Hz)	0.51	0.25	0.22	> 90%	< 20%	59,000
LEDWP60W-5K	5000k	> 70	7,231	61	119	120-277 (50-60Hz)	0.51	0.25	0.22	> 90%	< 20%	59,000
LEDWP80W-4K	4000k	> 70	9,803	78	126	120-277 (50-60Hz)	0.65	0.33	0.28	> 90%	< 20%	57,000
LEDWP80W-5K	5000k	> 70	9,953	78	128	120-277 (50-60Hz)	0.65	0.33	0.28	> 90%	< 20%	57,000

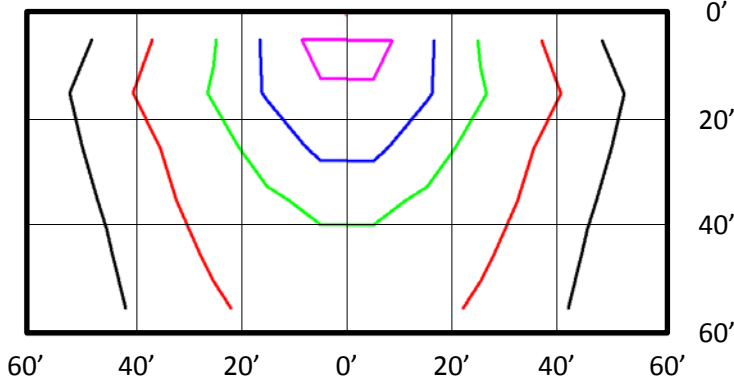
<sup>1</sup> Color rendering index

<sup>2</sup> Total harmonic distortion

<sup>3</sup> L<sub>70</sub> refers to the number of hours at which lumen output declines to 70% of the initial level. L<sub>70</sub> hours are IES TM-21-11 calculated hours.

## PHOTOMETRIC DATA

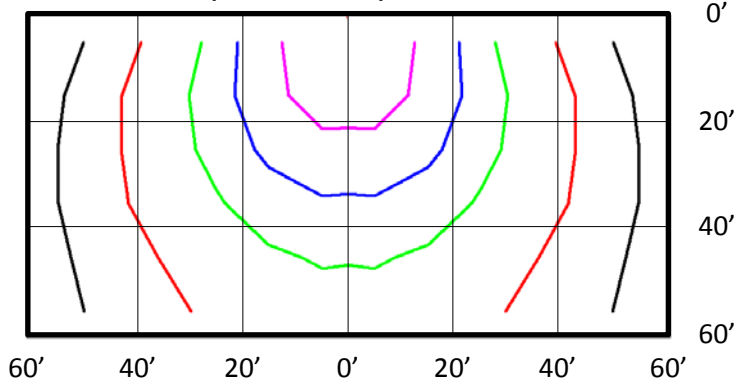
LEDWP60W-5K (7,231 Lumens)



### BUG Rating: B1-U4-G4

Zone	Lumens	%
FL - Front - Low (0-30)	681	9%
FM - Front - Medium (30-60)	2,066	29%
FH - Front - High (60-80)	1,581	22%
FVH - Front - Very High (80-90)	684	9%
<b>Total Forward Light</b>	<b>5,012</b>	<b>69%</b>
BL - Back - Low (0-30)	377	5%
BM - Back - Medium (30-60)	357	5%
BH - Back - High (60-80)	99	1%
BVH - Back - Very High (80-90)	24	0%
<b>Total Back Light</b>	<b>856</b>	<b>12%</b>
UL - Up Light - Low (90-100)	568	8%
UH - Up Light - High (100-180)	796	11%
<b>Total Up Light</b>	<b>1,363</b>	<b>19%</b>
<b>Total Lumens</b>	<b>7,231</b>	<b>100%</b>

LEDWP80W-5K (9,953 Lumens)



### BUG Rating: B1-U4-G5

Zone	Lumens	%
FL - Front - Low (0-30)	909	9%
FM - Front - Medium (30-60)	2,707	27%
FH - Front - High (60-80)	2,240	23%
FVH - Front - Very High (80-90)	980	10%
<b>Total Forward Light</b>	<b>6,836</b>	<b>69%</b>
BL - Back - Low (0-30)	440	4%
BM - Back - Medium (30-60)	441	4%
BH - Back - High (60-80)	128	1%
BVH - Back - Very High (80-90)	30	0%
<b>Total Back Light</b>	<b>1,038</b>	<b>10%</b>
UL - Up Light - Low (90-100)	836	8%
UH - Up Light - High (100-180)	1,243	12%
<b>Total Up Light</b>	<b>2,079</b>	<b>21%</b>
<b>Total Lumens</b>	<b>9,953</b>	<b>100%</b>

### Foot Candles



### Notes:

- Isofootcandle plots depict initial footcandles at grade.
- Gridlines represent units of mounting height of 15 feet.