

Project:	
Type:	
Catalog #:	



Shown with standard trunnion mount



Shown with optional yoke mount

STANDARD



The LEDMPAL series is a group of architectural LED area luminaires designed to illuminate parking areas, pathways, building facades, loading docks, and a wide variety of other large, general site lighting applications. Multiple mounting options make the LEDMPAL a versatile luminaire for flood lighting, pole-, ground- and wall-mounted area lighting, and other outdoor lighting requirements.

FEATURES

- Available in 3000k (warm white), 4000K (neutral white) and 5000K (cool white).*
- Long-life LEDs provide 69,000 hours of operation with at least 70% of initial lumen output (L_{70}).^{**}
- Standard optic provides an IES roadway type V distribution, or a 7V (vertical) x 7H (horizontal) NEMA floodlight distribution.
- Type III models deliver 27,536 lumens & 125 lumens per watt (LPW) at 3000k, 4000k and 5000k.^{***}
- Type V models deliver 21,495 lumens & 98 LPW at 3000k; 26,219 lumens & 119 LPW at 4000k; and 26,731 lumens & 122 LPW at 5000k.^{***}
- Universal 120-277 AC voltage (50-60Hz) is standard.
- 0-10vdc dimming capability is standard.
- Power factor > 0.90.
- Total harmonic distortion < 20%.
- Color rendering index > 80.
- Optional full glare shields, half glare shields & wire guards are available.
- Die cast aluminum housing with durable, dark bronze powder coat finish, and a heat-resistant polycarbonate lens.
- Wireway enclosure is sealed with a water-tight, silicon rubber gasket.
- Effective projected areas (EPA's) are:
 - Front = 0.37 square feet
 - Side = 0.51 square feet
 - Face = 1.74 square feet
- Threaded receptacle (1/2" NPS) for photocell. Optional arms and slip-fitters provide additional photocell mounting options.
- Easy installation in new construction or retrofit applications.

* Contact factory for other color temperatures and lumen packages.
^{**} L_{70} hours are IES TM-21-11 calculated hours.

WARRANTY & LISTINGS

- cULus listed for wet locations (-30°C to 40°C / -22°F to 104°F)
- IP65 rated.
- DLC standard approved (except as noted below).
- Complies with FCC Part 15, Class B.
- Complies with EN61000-4-5, surge immunity (2kV).
- 5-year warranty on all electronics and housing.

MOUNTING OPTIONS

- Trunnion mount is standard.
- Slip-fitter mount provides attachment to poles (2 3/8" O.D. tenon).
- Steel arm mount provides secure attachment to flat surfaces.
- Yoke mount models are available by special order.



Steel Arm Mount Option

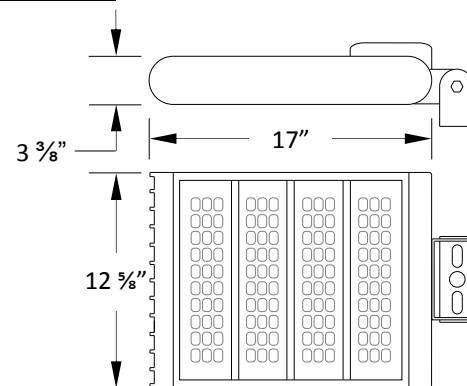


Slip-Fitter Mount Option



Yoke Mount Option

DIMENSIONS



Weight: 17.3 lb.

ORDERING INFORMATION

Examples: (Slip-Fitter, Type III): LEDMPAL220-T-4K-T3 + LEDMPAL-SF-80/300
 (Yoke, Type V): LEDMPAL220-Y-4K (no options available)
 (Arm, NEMA 7H x 7V) LEDMPAL220-T-4K + LEDMPAL-A-80/300

Model	Mounting Type	Luminaire Watts	Color Temp.	Distribution Type**	Luminaire Lumens	Lumens / Watt	Options* (Order Separately)
LEDMPAL220	T = Trunnion* Y = Yoke	230	3K = 3000k 4K = 4000k 5K = 5000k	T3 = Type III***	27,536	125	LEDMPAL-SF-80/300 = Slip-Fitter Mount
				T3 = Type III	27,536	125	LEDMPAL-A-80/300 = Steel Arm Mount
				T3 = Type III	27,536	125	MPAL220/300-FGS = Full Glare Shield
			3K = 3000k 4K = 4000k 5K = 5000k	Type V	21,495	99	MPAL220/300-HGS = Half Glare Shield
				Type V	26,219	119	MPAL220/300-WG = Wire Guard
				Type V	26,731	122	

* Note: For Slip-Fitter or Steel Arm mounting, order a luminaire with the standard Trunnion mount installed (LEDMPAL220-T), and either the Slip-Fitter (LEDMPAL-SF-80/300) or Steel Arm (LEDMPAL-A-80/300). The Slip-Fitter and Steel Arm mounts are shipped in separate cartons than the luminaire, and are field-installed after removing the standard Trunnion mount.

** Note: Type V distribution is standard, and requires no order suffix (see example above). For NEMA flood 7H x 7V distributions, order the Type V option.

*** Note: DLC 4.2 listing is pending.

ELECTRICAL DATA

Model	Color Temperature	CRI ¹	Luminaire Lumens	Luminaire Watts	Lumens Per Watt	Input Voltage ²	Input Current (A)			Power Factor	THD ³	L ₇₀ Hours ⁴
							120V	240V	277V			
LEDMPAL220-3K-T3	3000k	> 80	27,536	230	125	120-277	1.83	0.92	0.79	> 90%	< 20%	69,000
LEDMPAL220-4K-T3	4000k	> 80	27,536	230	125	120-277	1.83	0.92	0.79	> 90%	< 20%	69,000
LEDMPAL220-5K-T3	5000k	> 80	27,536	230	125	120-277	1.83	0.92	0.79	> 90%	< 20%	69,000
LEDMPAL220-3K	3000k	> 80	21,495	230	98	120-277	1.83	0.92	0.79	> 90%	< 20%	69,000
LEDMPAL220-4K	4000k	> 80	26,219	230	119	120-277	1.83	0.92	0.79	> 90%	< 20%	69,000
LEDMPAL220-5K	5000k	> 80	26,731	230	122	120-277	1.83	0.92	0.79	> 90%	< 20%	69,000

¹ Color rendering index.

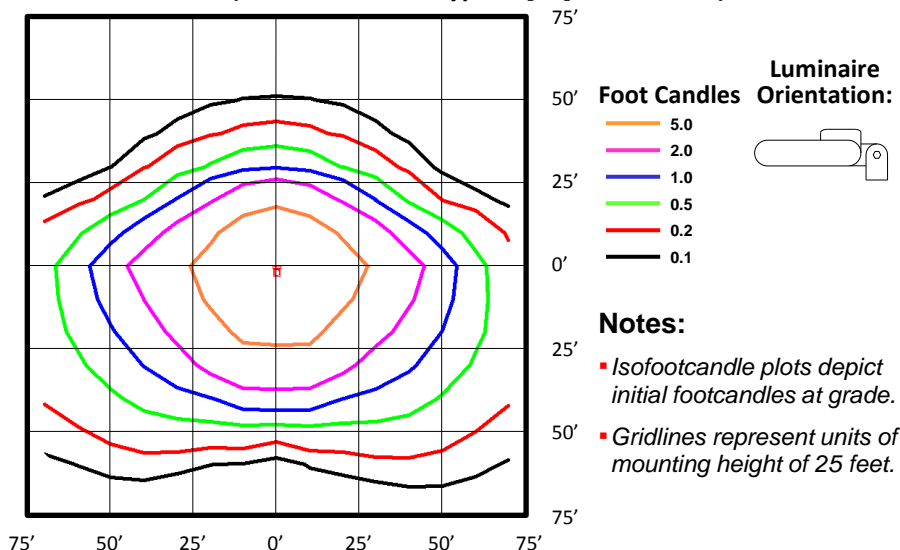
² All 50-60Hz.

³ Total harmonic distortion.

⁴ L₇₀ refers to the number of hours at which lumen output declines to 70% of the initial level. L₇₀ hours are IES TM-21-11 calculated hours.

PHOTOMETRIC DATA

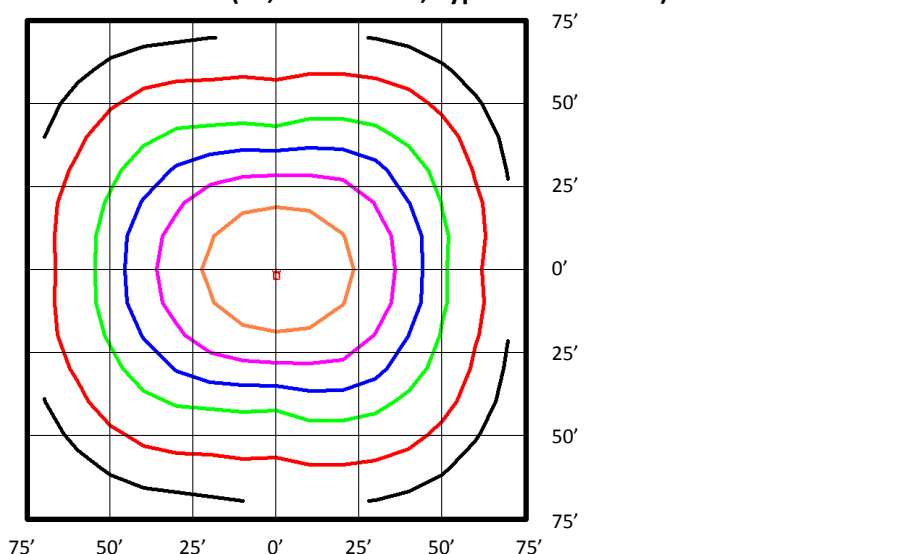
LEDMPAL220-5K (27,536 Lumens , Type III [T3] Distribution)



BUG Rating: B4-U3-G2

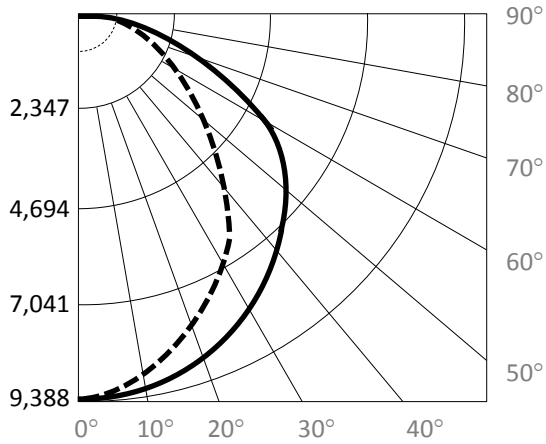
Zone	Lumens	%
FL - Front - Low (0-30)	3,351	12%
FM - Front - Medium (30-60)	9,571	35%
FH - Front - High (60-80)	4,072	15%
FVH - Front - Very High (80-90)	218	1%
Total Forward Light	17,212	63%
BL - Back - Low (0-30)	3,186	12%
BM - Back - Medium (30-60)	5,743	21%
BH - Back - High (60-80)	1,263	5%
BVH - Back - Very High (80-90)	63	0%
Total Back Light	10,256	37%
UL - Up Light - Low (90-100)	4	0%
UH - Up Light - High (100-180)	65	0%
Total Up Light	68	0%
Total Lumens	27,536	100%

LEDMPAL220-5K (26,731 Lumens , Type V Distribution)



BUG Rating: B4-U3-G3

Zone	Lumens	%
FL - Front - Low (0-30)	3,443	13%
FM - Front - Medium (30-60)	7,129	27%
FH - Front - High (60-80)	2,667	10%
FVH - Front - Very High (80-90)	284	1%
Total Forward Light	13,523	51%
BL - Back - Low (0-30)	3,360	13%
BM - Back - Medium (30-60)	7,019	26%
BH - Back - High (60-80)	2,484	9%
BVH - Back - Very High (80-90)	271	1%
Total Back Light	13,135	49%
UL - Up Light - Low (90-100)	5	0%
UH - Up Light - High (100-180)	69	0%
Total Up Light	73	0%
Total Lumens	26,731	100%



Maximum Candela = 9,388

— Horizontal
- - - Vertical

NEMA Floodlight Type Data

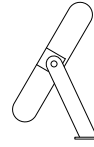
Field Angles:

- Horizontal 159°
- Vertical 163°

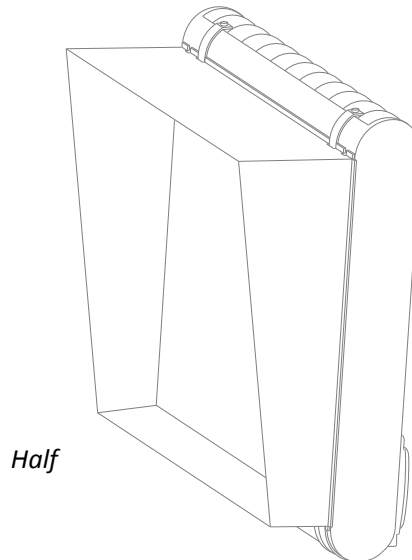
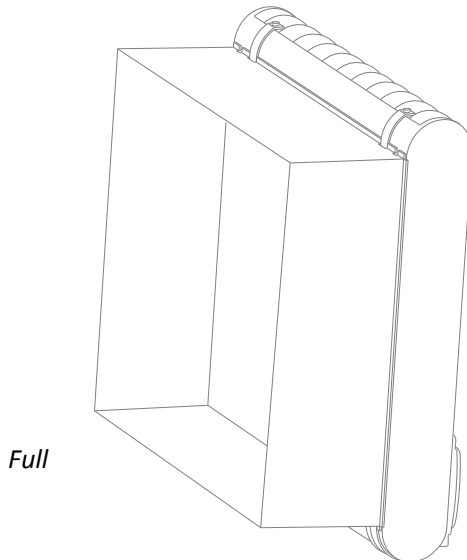
NEMA Type:

- Horizontal 7H
- Vertical 7V

Luminaire Orientation:



Shields



Wire Guards

