

Project:	
Type:	
Catalog #:	

## STANDARD

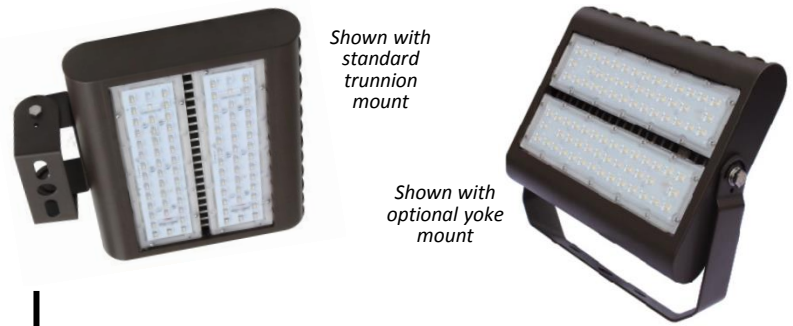


The LEDMPAL series is a group of architectural LED area luminaires designed to illuminate parking areas, pathways, building facades, loading docks, and a wide variety of other large, general site lighting applications. Multiple mounting options make the LEDMPAL a versatile luminaire for flood lighting, pole-, ground- and wall-mounted area lighting, and other outdoor lighting requirements.

## FEATURES

- Available in 3000k (warm white), 4000K (neutral white) and 5000K (cool white).\*
- Long-life LEDs provide 58,000 hours of operation with at least 70% of initial lumen output ( $L_{70}$ ).\*\*
- Standard optic provides an IES roadway type V distribution, or a 7V (vertical) x 7H (horizontal) NEMA floodlight distribution.
- Type III models deliver 18,303 lumens & 120 lumens per watt (LPW) at 3000k, 4000k and 5000k.†
- Type V models deliver 19,887 lumens & 130 LPW at 3000k; 18,486 lumens & 121 LPW at 4000k; and 18,752 lumens & 123 LPW at 5000k.†
- Universal 120-277 AC voltage (50-60Hz) is standard.
- 0-10vdc dimming capability is standard.
- Power factor > 0.90.
- Total harmonic distortion < 20%.
- Color rendering index > 80.
- Optional full glare shields, half glare shields & wire guards are available.
- Die cast aluminum housing with durable, dark bronze powder coat finish, and a heat-resistant polycarbonate lens.
- Wireway enclosure is sealed with a water-tight, silicon rubber gasket.
- Effective projected areas (EPA's) are:
  - Front = 0.38 square feet
  - Side = 0.30 square feet
  - Face = 1.04 square feet
- Threaded receptacle (1/2" NPS) for photocell. Optional arms and slip-fitters provide additional photocell mounting options.
- Easy installation in new construction or retrofit applications.

\* Contact factory for other color temperatures and lumen packages.  
\*\*  $L_{70}$  hours are IES TM-21-11 calculated hours.



Shown with standard trunnion mount

Shown with optional yoke mount

## WARRANTY & LISTINGS

- cULus listed for wet locations (-30°C to 40°C / -22°F to 104°F)
- IP65 rated.
- DLC standard approved (except as noted below).
- Complies with FCC Part 15, Class B.
- Complies with EN61000-4-5, surge immunity (6kV).
- 5-year warranty on all electronics and housing.

## MOUNTING OPTIONS

- Trunnion mount is standard.
- Slip-fitter mount provides attachment to poles (2 3/8" O.D. tenon).
- Steel arm mount provides secure attachment to flat surfaces.
- Yoke mount models are available by special order.



Steel Arm Mount Option

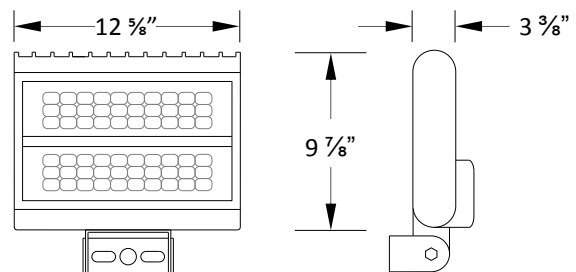


Slip-Fitter Mount Option



Yoke Mount Option

## DIMENSIONS



Weight: 9.6 lb.

## ORDERING INFORMATION

Examples: (Slip-Fitter, Type III): LEDMPAL150-T-4K-T3 + LEDMPAL-SF-80/300  
(Yoke, Type V): LEDMPAL150-Y-4K (no options available)  
(Arm, NEMA 7H x 7V) LEDMPAL150-T-4K + LEDMPAL-A-80/300

Model	Mounting Type	Luminaire Watts	Color Temp.	Distribution Type**	Luminaire Lumens	Lumens / Watt	Options* (Order Separately)
LEDMPAL150	T = Trunnion* Y = Yoke	153	3K = 3000k 4K = 4000k 5K = 5000k	T3 = Type III***	18,303	120	LEDMPAL-SF-80/300 = Slip-Fitter Mount LEDMPAL-A-80/300 = Steel Arm Mount MPAL80/100/150-FGS = Full Glare Shield MPAL80/100/150-HGS = Half Glare Shield MPAL80/100/150-WG = Wire Guard
				T3 = Type III	18,303	120	
				T3 = Type III	18,303	120	
			Type V	19,887	130		
				18,486	121		
				18,752	123		

\* Note: For Slip-Fitter or Steel Arm mounting, order a luminaire with the standard Trunnion mount installed (LEDMPAL150-T), and either the Slip-Fitter (LEDMPAL-SF-80/300) or Steel Arm (LEDMPAL-A-80/300). The Slip-Fitter and Steel Arm mounts are shipped in separate cartons than the luminaire, and are field-installed after removing the standard Trunnion mount.

\*\* Note: Type V distribution is standard, and requires no order suffix (see example above). For NEMA flood 7H x 7V distributions, order the Type V option.

\*\*\* Note: DLC 4.2 listing is pending.

## ELECTRICAL DATA

Model	Color Temperature	CRI <sup>1</sup>	Luminaire Lumens	Luminaire Watts	Lumens Per Watt	Input Voltage <sup>2</sup>	Input Current (A)			Power Factor	THD <sup>3</sup>	L <sub>70</sub> Hours <sup>4</sup>
							120V	240V	277V			
LEDMPAL150-3K-T3	3000k	> 80	18,303	153	120	120-277	1.28	0.64	0.55	> 90%	< 20%	58,000
LEDMPAL150-4K-T3	4000k	> 80	18,303	153	120	120-277	1.28	0.64	0.55	> 90%	< 20%	58,000
LEDMPAL150-5K-T3	5000k	> 80	18,303	153	120	120-277	1.28	0.64	0.55	> 90%	< 20%	58,000
LEDMPAL150-3K	3000k	> 80	19,887	153	130	120-277	1.28	0.64	0.55	> 90%	< 20%	58,000
LEDMPAL150-4K	4000k	> 80	18,486	153	121	120-277	1.28	0.64	0.55	> 90%	< 20%	58,000
LEDMPAL150-5K	5000k	> 80	18,752	153	123	120-277	1.28	0.64	0.55	> 90%	< 20%	58,000

<sup>1</sup> Color rendering index.

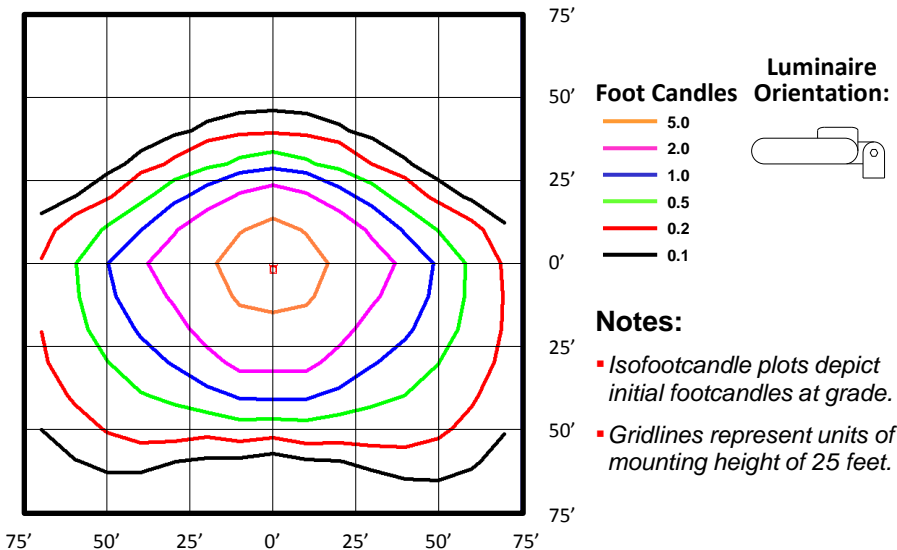
<sup>2</sup> All 50-60Hz.

<sup>3</sup> Total harmonic distortion.

<sup>4</sup> L<sub>70</sub> refers to the number of hours at which lumen output declines to 70% of the initial level. L<sub>70</sub> hours are IES TM-21-11 calculated hours.

## PHOTOMETRIC DATA

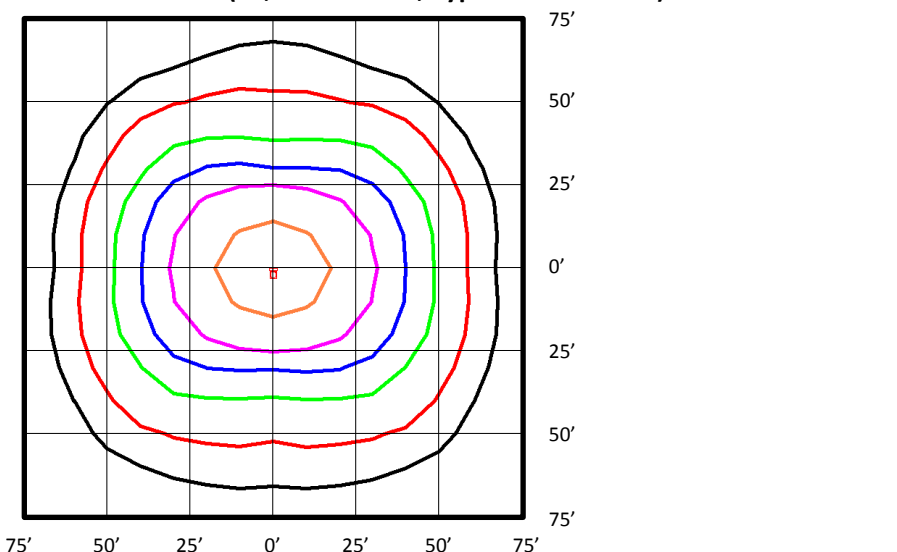
### LEDMPAL150-5K (18,303 Lumens , Type III [T3] Distribution)



### BUG Rating: B3-U2-G2

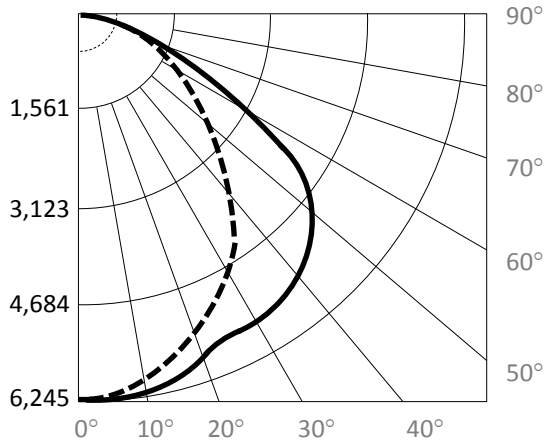
Zone	Lumens	%
FL - Front - Low (0-30)	2,111	12%
FM - Front - Medium (30-60)	6,330	35%
FH - Front - High (60-80)	2,860	16%
FVH - Front - Very High (80-90)	127	1%
<b>Total Forward Light</b>	<b>11,428</b>	<b>62%</b>
BL - Back - Low (0-30)	2,072	11%
BM - Back - Medium (30-60)	3,927	21%
BH - Back - High (60-80)	801	4%
BVH - Back - Very High (80-90)	32	0%
<b>Total Back Light</b>	<b>6,833</b>	<b>37%</b>
UL - Up Light - Low (90-100)	2	0%
UH - Up Light - High (100-180)	40	0%
<b>Total Up Light</b>	<b>42</b>	<b>0%</b>
<b>Total Lumens</b>	<b>18,303</b>	<b>100%</b>

### LEDMPAL150-5K (18,752 Lumens , Type V Distribution)



### BUG Rating: B3-U2-G2

Zone	Lumens	%
FL - Front - Low (0-30)	2,427	13%
FM - Front - Medium (30-60)	5,077	27%
FH - Front - High (60-80)	1,832	10%
FVH - Front - Very High (80-90)	186	1%
<b>Total Forward Light</b>	<b>9,522</b>	<b>51%</b>
BL - Back - Low (0-30)	2,338	12%
BM - Back - Medium (30-60)	4,982	27%
BH - Back - High (60-80)	1,693	9%
BVH - Back - Very High (80-90)	170	1%
<b>Total Back Light</b>	<b>9,182</b>	<b>49%</b>
UL - Up Light - Low (90-100)	3	0%
UH - Up Light - High (100-180)	45	0%
<b>Total Up Light</b>	<b>48</b>	<b>0%</b>
<b>Total Lumens</b>	<b>18,752</b>	<b>100%</b>



Maximum Candela = 6,245

— Horizontal  
- - - Vertical

### NEMA Floodlight Type Data

#### Field Angles:

- Horizontal 160°
- Vertical 163°

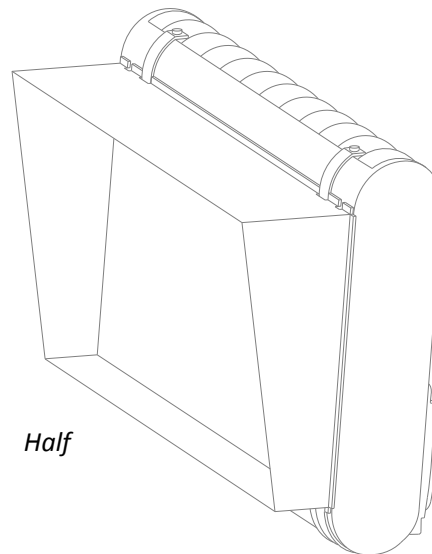
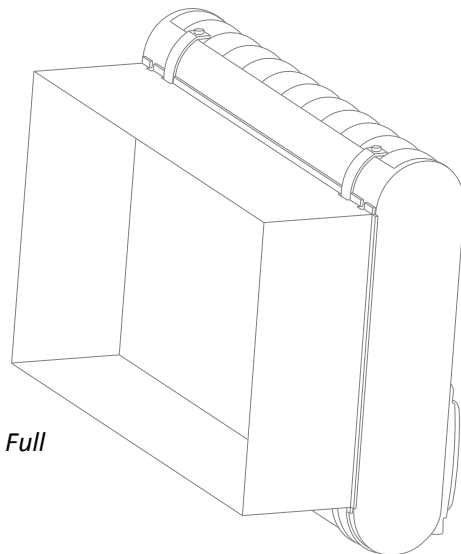
#### NEMA Type:

- Horizontal 7H
- Vertical 7V

### Luminaire Orientation:



### Shields



### Wire Guards

