

Project:	
Type:	
Catalog #:	

STANDARD



The LEDMPAL series is a group of architectural LED area luminaires designed to illuminate parking areas, pathways, building facades, loading docks, and a wide variety of other large, general site lighting applications. Multiple mounting options make the LEDMPAL a versatile luminaire for flood lighting, pole-, ground- and wall-mounted area lighting, and other outdoor lighting requirements.

FEATURES

- Available in 3000k (warm white), 4000K (neutral white) and 5000K (cool white).*
- Long-life LEDs provide 69,000 hours of operation with at least 70% of initial lumen output (L₇₀).**
- Delivers 1,570 lumens & 105 lumens per watt (LPW) at 3000k; 1,615 lumens and 108 LPW at 4000k; and 1,667 lumens & 111 LPW at 5000k.*
- Standard optic provides an IES roadway type V distribution, or a 7V (vertical) x 7H (horizontal) NEMA floodlight distribution.
- Universal 120-277 AC voltage (50-60Hz) is standard.
- Power factor > 0.90.
- Total harmonic distortion < 20%.
- Color rendering index > 80.
- Optional full glare shields, half glare shields & wire guards are available.
- Die cast aluminum housing with durable, dark bronze powder coat finish, and a heat-resistant polycarbonate lens.
- Wireway enclosure is sealed with a water-tight, silicon rubber gasket.
- Effective projected areas (EPA's) are:
 - Front = 0.05 square feet
 - Side = 0.04 square feet
 - Face = 0.12 square feet
- Easy installation in new construction or retrofit applications.

* Contact factory for other color temperatures and lumen packages.

** L₇₀ hours are IES TM-21-11 calculated hours.



Yoke-Mount Option

Knuckle-Mount Option

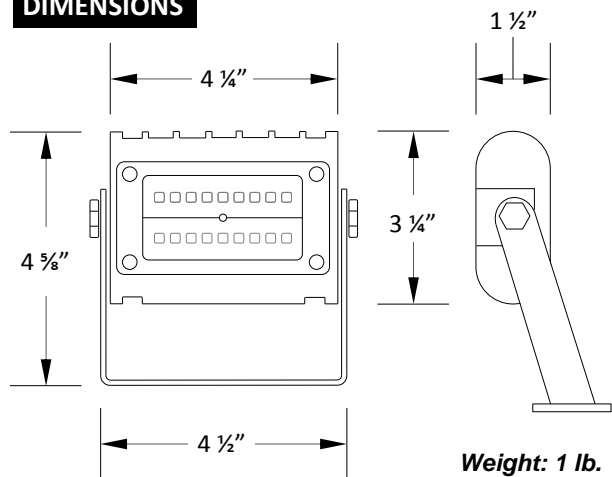
WARRANTY & LISTINGS

- cULus listed for wet locations (-30°C to 40°C / -22°F to 104°F)
- IP65 rated.
- DLC standard approved.
- Complies with FCC Part 15, Class B.
- Complies with EN61000-4-5, surge immunity (1kV).
- 5-year warranty on all electronics and housing.

MOUNTING OPTIONS

- Yoke-mount option provides secure attachment to flat surfaces.
- Aluminum die-cast knuckle-mount option is installed on a junction box. Includes ½" NPS stem with locking nut.

DIMENSIONS



Weight: 1 lb.

ORDERING INFORMATION

Example: LEDMPAL15-Y-3K + MPAL15-FGS

Model	Luminaire Watts	Luminaire Lumens	Lumens / Watt	Mounting Options	Color Temperature	Shields & Wire Guards (See Line Drawings Below)
LEDMPAL15	15	1,570	105	Y = Yoke Mount	3K = 3000k	MPAL15-FGS = Full Glare Shield, 15W
		1,615	108	K = Knuckle Mount	4K = 4000k	MPAL15-HGS = Half Glare Shield, 15W
		1,667	111		5K = 5000k	MPAL15-WG = Wire Guard, 15W

ELECTRICAL DATA

Model	Color Temperature	CRI ¹	Luminaire Lumens	Luminaire Watts	Lumens Per Watt	Input Voltage ²	Input Current (A)			Power Factor	THD ³	L ₇₀ Hours ⁴
							120V	240V	277V			
LEDMPAL15-3K	3000k	> 80	1,570	15	105	120-277	0.13	0.06	0.05	> 90%	< 20%	69,000
LEDMPAL15-4K	4000k	> 80	1,615	15	108	120-277	0.13	0.06	0.05	> 90%	< 20%	69,000
LEDMPAL15-5K	5000k	> 80	1,667	15	111	120-277	0.13	0.06	0.05	> 90%	< 20%	69,000

¹ Color rendering index.

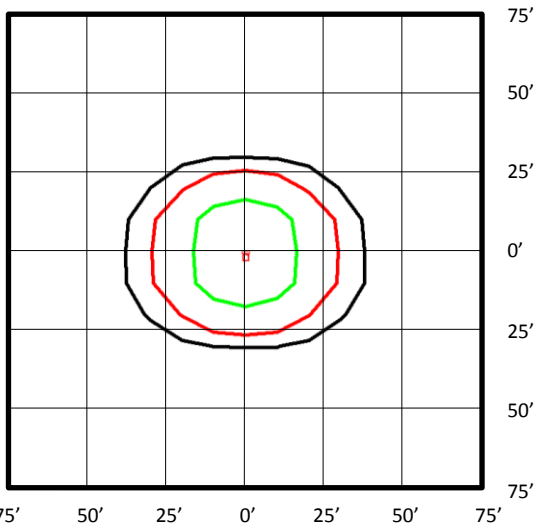
² All 50-60Hz.

³ Total harmonic distortion.

⁴ L₇₀ refers to the number of hours at which lumen output declines to 70% of the initial level. L₇₀ hours are IES TM-21-11 calculated hours.

PHOTOMETRIC DATA

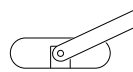
LEDMPAL15-5K (1,667 Lumens, Type V Distribution)



Foot Candles



Luminaire Orientation:

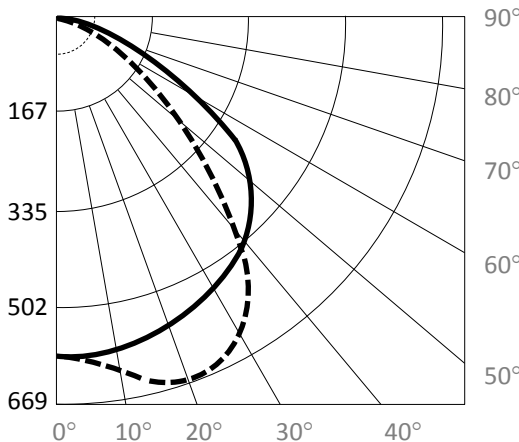


Notes:

- Isofootcandle plots depict initial footcandles at grade.
- Gridlines represent units of mounting height of 25 feet.

BUG Rating: B1-U1-G0

Zone	Lumens	%
FL - Front - Low (0-30)	260	16%
FM - Front - Medium (30-60)	502	30%
FH - Front - High (60-80)	94	6%
FVH - Front - Very High (80-90)	6	0%
Total Forward Light	862	52%
BL - Back - Low (0-30)	254	15%
BM - Back - Medium (30-60)	459	28%
BH - Back - High (60-80)	86	5%
BVH - Back - Very High (80-90)	5	0%
Total Back Light	804	48%
UL - Up Light - Low (90-100)	0	0%
UH - Up Light - High (100-180)	1	0%
Total Up Light	1	0%
Total Lumens	1,667	100%



NEMA Floodlight Type Data

Field Angles:

- Horizontal 147°
- Vertical 133°

NEMA Type:

- Horizontal 7H
- Vertical 7V

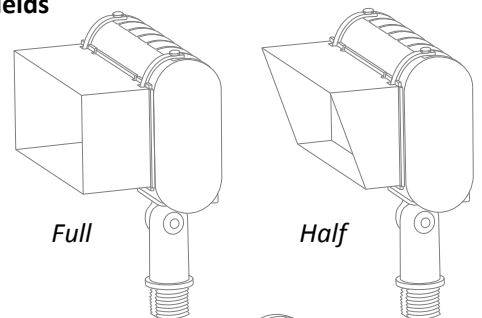
Luminaire Orientation:



Maximum Candela = 669

- Horizontal
- - - Vertical

Shields



Wire Guards

