

Project:	
Type:	
Catalog #:	

STANDARD



The LED-DDALSN dusk-to-dawn security/flood light is an ideal solution for general site and flood lighting in commercial and residential settings. With a die cast aluminum housing and a fluted, polycarbonate lens shield to reduce glare, the LED-DDALSN provides effective, economical security lighting. High-efficacy, long-life LEDs provide both energy and maintenance cost savings compared to traditional, incandescent and HID security/flood lights.

FEATURES

- Available in 5000k (cool white) color temperature.*
- Long-life LEDs provide at least 78,000 hours of operation with at least 70% of initial lumen output (L_{70}).**
- LED-DDALSN35W delivers 4,269 lumens and 122 lumens per watt.*
- LED-DDALSN55W delivers 6,703 lumens and 126 lumens per watt.*
- Universal 120-277 AC voltage (50-60Hz) is standard.
- Power factor > 0.90.
- Total harmonic distortion < 20%.
- Color rendering index > 70.
- Die cast aluminum housing.
- Fluted, polycarbonate lens shield to reduce glare.
- NEMA-type photocell included (120-277V).
- Easy installation in new construction or retrofit.

* Contact factory for other color temperatures and lumen packages.

** L_{70} hours are IES TM-21-11 calculated hours.

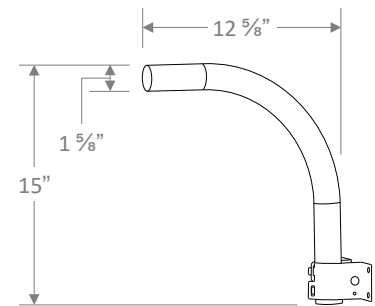


WARRANTY & LISTINGS

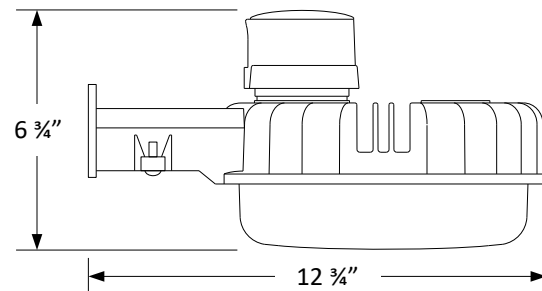
- cULus listed for wet locations (-20°C to 45°C / -4°F to 113°F).
- IP65 rated for ingress protection.
- DLC standard approved.
- Complies with FCC Part 15, class B.
- Complies with EN61000-4-5, surge immunity protection (1.2kV).
- 5-year warranty of all electronics and housing.

MOUNTING ARM

- Optional powder-coated steel mounting arm attaches to poles or walls.
- Mounting bracket included.



DIMENSIONS



Weight: 4.4 lbs.

ORDERING INFORMATION

Model	Luminaire Watts	Luminaire Lumens	Lumens Per Watt	Color Temperature	Accessories
LED-DDALSN35W	35	4,269	122	5K = 5000k	LED-DDALSN-ARM = Mounting Arm with Bracket
LED-DDALSN55W	53	6,703	126	5K = 5000k	

ELECTRICAL DATA

Model	Color Temp.	CRI ¹	Luminaire Lumens	Luminaire Watts	Lumens/Watt	Input Voltage ²	Input Current (A)			Power Factor	THD ³	L ₇₀ Hours ⁴
							120V	240V	277V			
LED-DDALSN35W-5K	5000k	>70	4,269	35	122	120-277	0.29	0.15	0.13	>90%	<20%	>78,000
LED-DDALSN55W-5K	5000k	>70	6,703	53	126	120-277	0.44	0.22	0.19	>90%	<20%	>82,000

¹ Color rendering index.

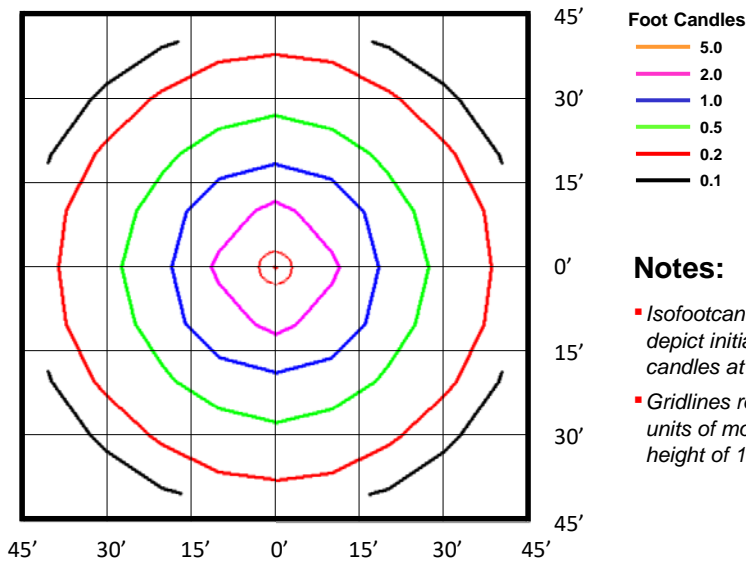
² All 50-60Hz.

³ Total harmonic distortion.

⁴ L₇₀ refers to the number of hours at which lumen output declines to 70% of the initial level. L₇₀ hours are IES TM-21-11 calculated hours.

PHOTOMETRIC DATA

LED-DDALSN35W-5K (4,269 Lumens)



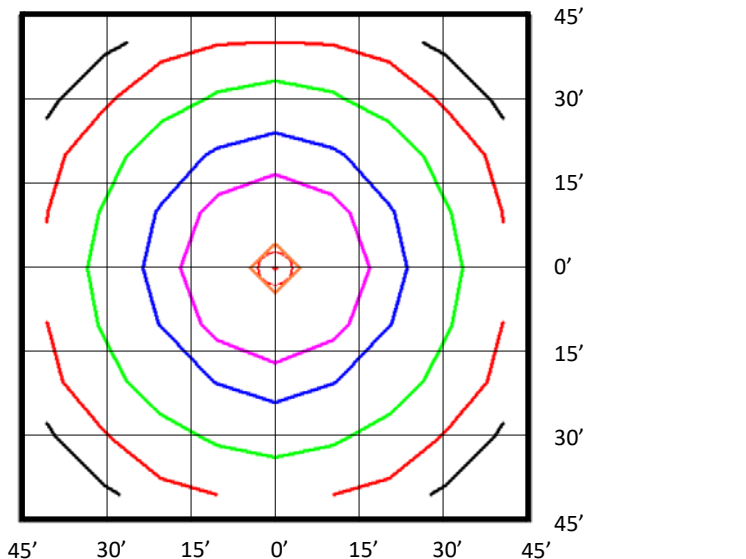
BUG Rating: B2-U2-G1

Zone	Lumens	%
FL - Front - Low (0-30)	371	9%
FM - Front - Medium (30-60)	987	23%
FH - Front - High (60-80)	699	16%
FVH - Front - Very High (80-90)	56	1%
Total Forward Light	2,113	49%
BL - Back - Low (0-30)	371	9%
BM - Back - Medium (30-60)	1,025	24%
BH - Back - High (60-80)	674	16%
BVH - Back - Very High (80-90)	43	1%
Total Back Light	2,114	50%
UL - Up Light - Low (90-100)	11	0%
UH - Up Light - High (100-180)	31	1%
Total Up Light	42	1%
Total Lumens	4,269	100%

Notes:

- Isofootcandle plots depict initial footcandles at grade.
- Gridlines represent units of mounting height of 15 feet.

LED-DDALSN55W-5K (6,703 Lumens)



BUG Rating: B3-U2-G1

Zone	Lumens	%
FL - Front - Low (0-30)	592	9%
FM - Front - Medium (30-60)	1,592	24%
FH - Front - High (60-80)	1,102	16%
FVH - Front - Very High (80-90)	82	1%
Total Forward Light	3,368	50%
BL - Back - Low (0-30)	589	9%
BM - Back - Medium (30-60)	1,580	24%
BH - Back - High (60-80)	1,034	15%
BVH - Back - Very High (80-90)	70	1%
Total Back Light	3,272	49%
UL - Up Light - Low (90-100)	17	0%
UH - Up Light - High (100-180)	46	1%
Total Up Light	63	1%
Total Lumens	6,703	100%