

Project:	
Type:	
Catalog #:	

STANDARD



The LED-DDAL dusk-to-dawn security/flood light is an ideal solution for general site and flood lighting in commercial and residential settings. With a die cast aluminum housing and a fluted, polycarbonate lens shield to reduce glare, the LED-DDAL provides effective, economical security lighting. High-efficacy, long-life LEDs provide both energy and maintenance cost savings compared to traditional, incandescent and HID security/flood lights.

FEATURES

- Available in 5000k (cool white) color temperature.*
- Long-life LEDs provide 55,000 hours of operation with at least 70% of initial lumen output (L_{70}).**
- Delivers 5,027 lumens and 99 lumens per watt.*
- Universal 120-277 AC voltage (50-60Hz) is standard.
- Power factor > 0.90.
- Total harmonic distortion < 20%.
- Color rendering index > 80.
- Die cast aluminum housing.
- Fluted, polycarbonate lens shield to reduce glare.
- NEMA-type photocell and mounting arm are included.
- Easy installation in new construction or retrofit.



NEMA-Type Photocell

* Contact factory for other color temperatures and lumen packages.
** L_{70} hours are IES TM-21-11 calculated hours.



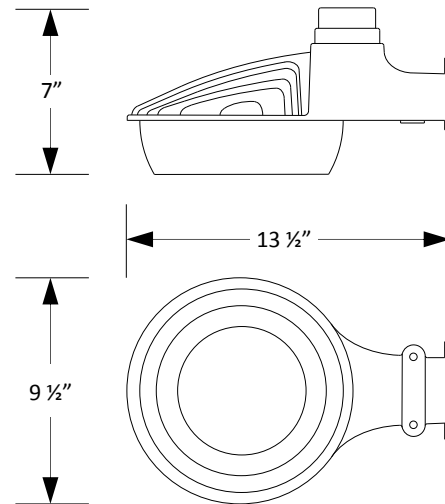
WARRANTY & LISTINGS

- cULus listed for wet locations (-20°C to 40°C / -4°F to 104°F).
- DLC approved.
- Complies with FCC Part 15, Class B.
- 5-year warranty on all electronics and housing.

MOUNTING OPTIONS

- Wall-mount attachment is standard.
- Extruded aluminum extension arm (15" height, 13" width, 1 1/2" diameter) is also standard.

DIMENSIONS



ORDERING INFORMATION

Model	Luminaire Watts	Luminaire Lumens	Lumens Per Watt	Color Temperature
LED-DDAL50W-5K	51	5,027	99	5K = 5000k

ELECTRICAL

Model	Color Temperature	CRI ¹	Luminaire Lumens	Luminaire Watts	Lumens Per Watt	Input Voltage	Input Current (A)			Power Factor	THD ²	L ₇₀ Hours ³
							120V	240V	277V			
LED-DDAL50W-5K	5000k	> 80	5,027	51	99	120-277 (50-60Hz)	0.43	0.21	0.18	> 90%	< 20%	55,000

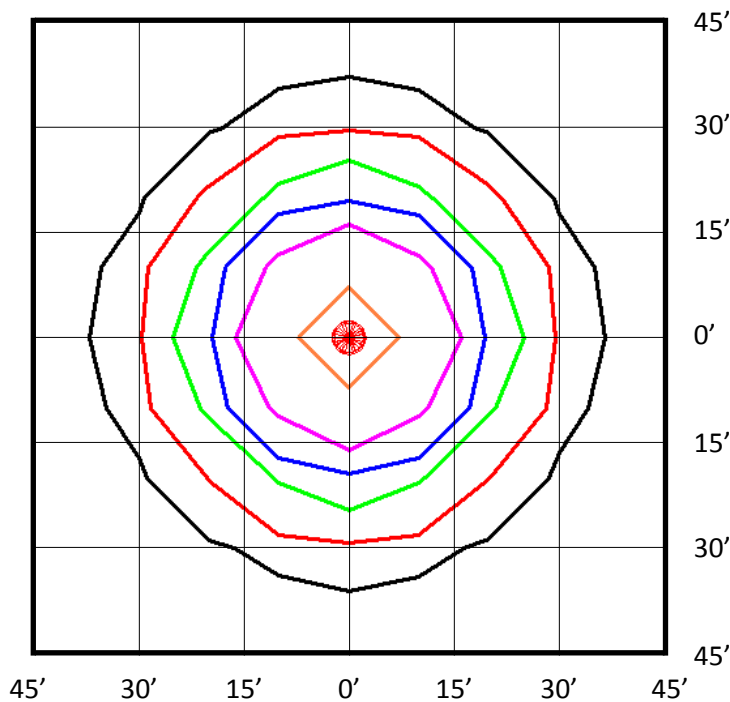
¹ Color rendering index

² Total harmonic distortion

³ L₇₀ refers to the number of hours at which lumen output declines to 70% of the initial level. L₇₀ hours are IES TM-21-11 calculated hours.

PHOTOMETRIC DATA

LED-DDAL50W-5K (5,027 Lumens)



BUG Rating: B2-U2-G1

Zone	Lumens	%
FL - Front - Low (0-30)	728	14%
FM - Front - Medium (30-60)	1,299	26%
FH - Front - High (60-80)	361	7%
FVH - Front - Very High (80-90)	86	2%
Total Forward Light	2,474	49%
BL - Back - Low (0-30)	732	15%
BM - Back - Medium (30-60)	1,314	26%
BH - Back - High (60-80)	368	7%
BVH - Back - Very High (80-90)	88	2%
Total Back Light	2,501	50%
UL - Up Light - Low (90-100)	29	1%
UH - Up Light - High (100-180)	23	0%
Total Up Light	52	1%
Total Lumens	5,027	100%

Foot Candles

5.0
2.0
1.0
0.5
0.2
0.1

Notes:

- Isofootcandle plots depict initial footcandles at grade.
- Gridlines represent units of mounting height of 15 feet.