

# MONARCH-LED EMERGENCY LIGHT

*The Monarch-LED Emergency light Series is an attractive emergency lighting unit with soft rounded corners and adjustable round heads. The LED lampheads allow for energy saving, smaller footprint, and longer lasting nickel-cadmium battery.*

## APPLICATION

Suitable for use in almost any commercial or light industrial application.

## HOUSING

The housing is made of injection molded, engineering-grade, 5VA flame retardant, high-impact resistant, thermoplastic.

## MOUNTING

Universal mounting plate with quick-connect feature.

## HEADS

Two attractive square shaped heads with rounded corners are adjustable, allowing the end user to direct the light where it will be most useful. The heads contain LED's with life expectancy of more than 10 years.

## USA OPTION

Substantial transformation assembly in the U.S. complies with "Assembled in the USA" under the Buy American Act. \*This option is available with incandescent heads only.

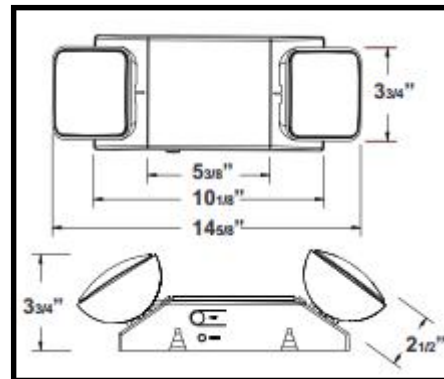
EX: MON-LED-EMER-W



UNIT SERIES	OPERATION	LAMP TYPE	OPTIONS	UNIT COLOR
MON-LED-EMER MONARCH EMERGENCY LIGHT	90 MINUTE BACKUP	LED	-SD (self-diagnostics) -USA (assembled in the US)	W WHITE B BLACK

## ELECTRICAL/BATTERY

- Dual voltage input 120/277 VAC, 60 Hz.
- Maintenance free, long life nickel-cadmium battery provides 90 minutes of emergency operation.
- Low voltage disconnect of battery prevents deep discharge and maintains a good battery life.
- Fully automatic, solid state charger.
- Test switch with LED charge indicator / AC voltage Indicator
- Damp location rated



## AGENCY APPROVAL

U.L. 924 Listed for damp locations.  
Life Safety NFPA 101.



## WARRANTY

The Monarch-LED Series comes from the factory with an unconditional five year warranty on the electronics. Batteries pro-rated for five years.